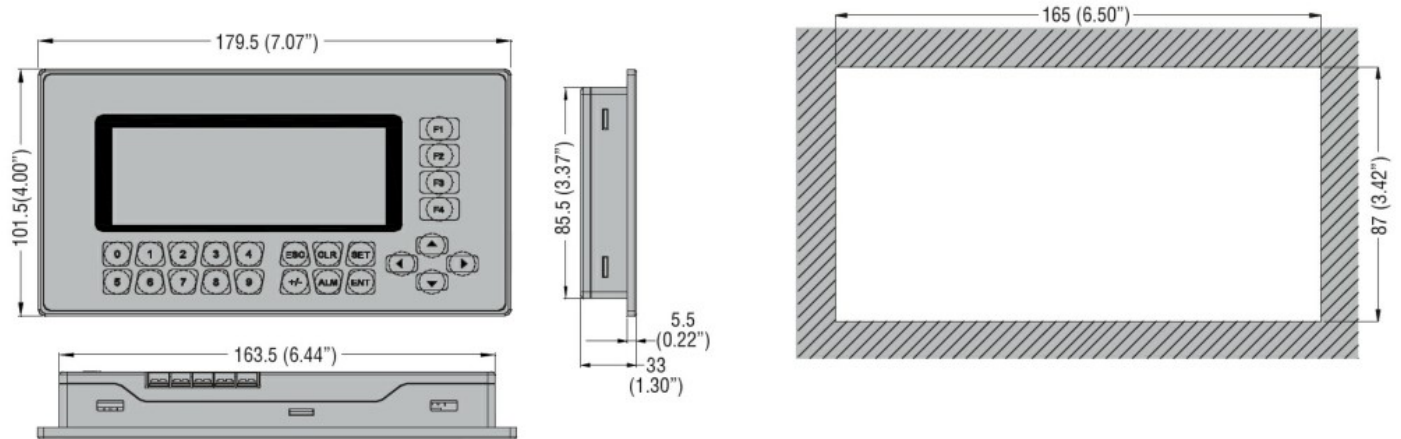




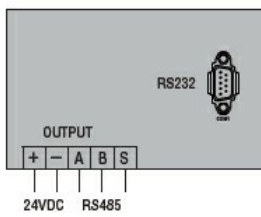
Power supply			
Rated auxil. supply voltage			24VDC
Operating voltage range			20.4...26.4VDC (-15%...+10%)
Power consumption Max		W	1.9
System resources			
Display			4.3" monochrome LCD display, green background + keypad with 24 keys
Colors			monochrome, olive background
Resolution			192 x 64 pixel
Touchscreen			No
Communications			
Type of communication port			RS232 and RS485
Connections			
Terminals type			Screw
Tightening torque for terminals			
		max	Nm 1.8
		Max	lbft 10.4
Conductor section			
	AWG/Kcmil	min	22
		max	12
	IEC	min	mm ² 0.4
		max	mm ² 3.3
Ambient conditions			
Temperature			
	Operating temperature	max	°C +55
	Storage temperature	min	°C -40
		max	°C +70
Relative humidity			% 10...95% without condensation
Maximum Pollution degree			2
Housing			
Degree of protection			IP65

Dimensions (W x H x D)	mm	179.5 x 101.5 x 33
Weight	g	200

Dimensions



Wiring diagrams



Certifications and compliance

Compliance

CSA C22.2 n° 142
IEC/EN 61131-2
UL508

Certificates

cULus
EAC

ETIM classification

ETIM 8.0

EC001412 -
Graphic panel