



General characteristics

Diameter	mm - inch	50 / 1.97
Supply voltage (AC)	V	110...230
IEC degree of protection		IP65
Power consumption	VA	1

Mechanical features

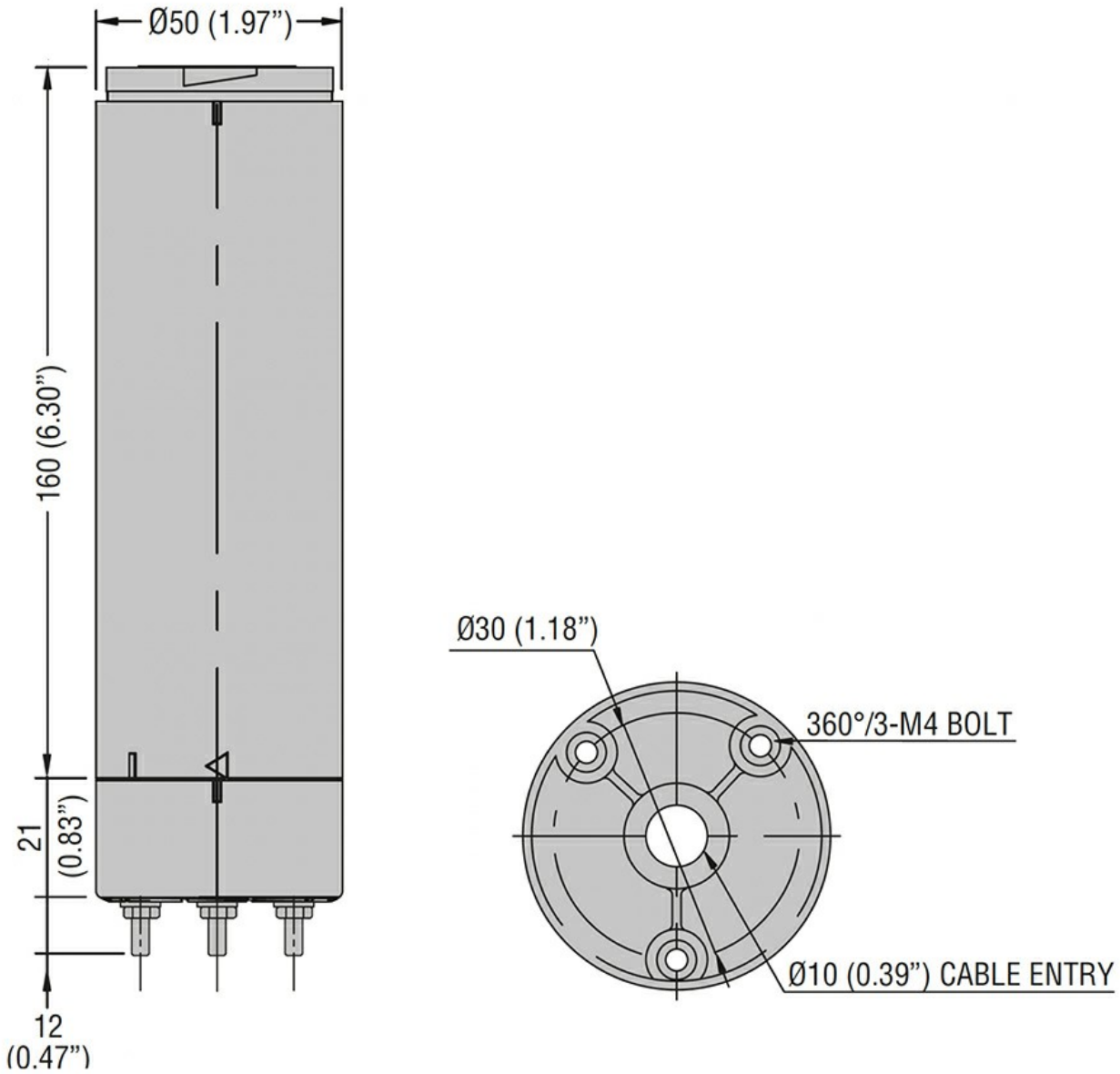
Terminals screw		Spring terminals
Conductor section		
	AWG/Kcmil	
		min 16
		max 24
	IEC	
		min mm ² 0.25
		max mm ² 1.5

Weight		g	222
--------	--	---	-----

Ambient conditions

Temperature			
	Operating temperature		
		min °C	-30
		max °C	+50

Dimensions



Certifications and compliance

Compliance

CSA C22.2 n° 14
IEC/EN/BS 60947-1
IEC/EN/BS 60947-5-1
UL508

Certificates

cULus

ETIM classification

ETIM 8.0

EC001154 -
Stand for signal
tower without
tube