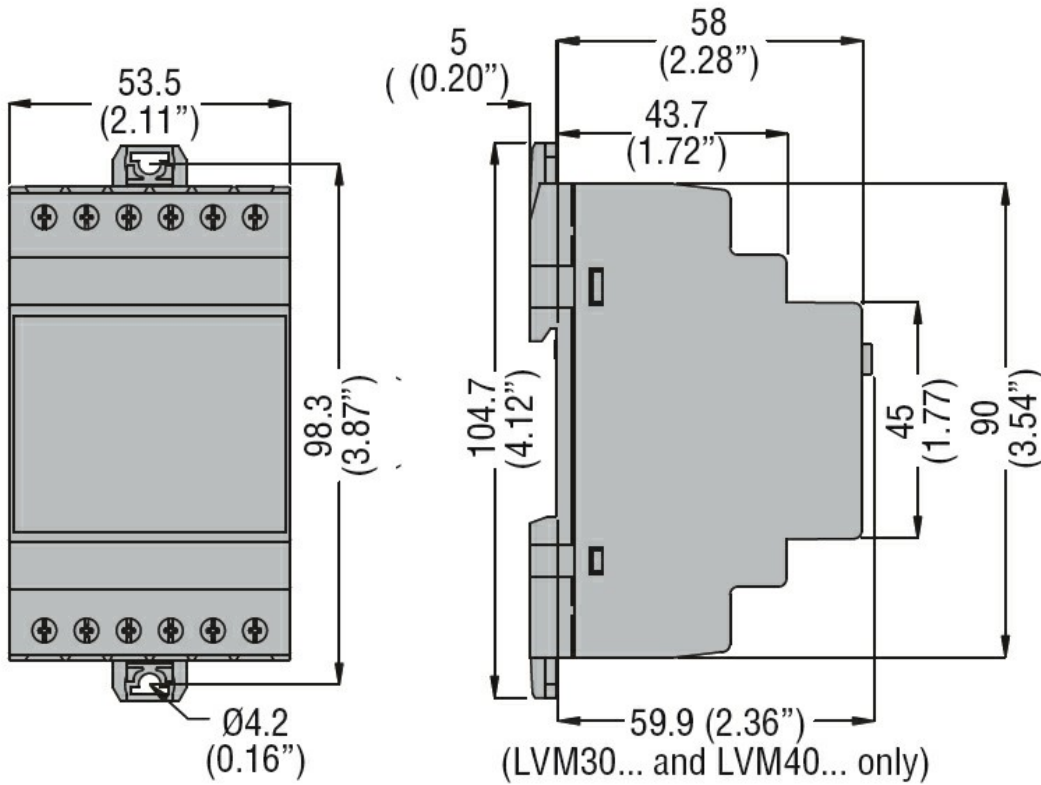




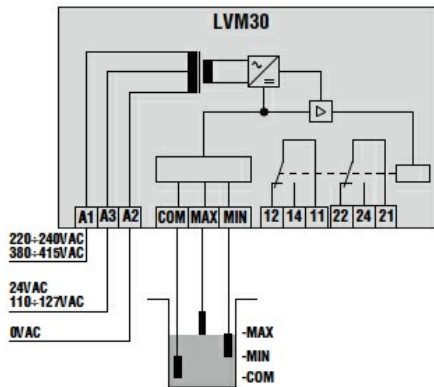
Auxiliary supply		
Supply voltage Type		Dual voltage
Operating voltage range		0.85...1.1 Us
Rated frequency	Hz	50/60
Power consumption Max	VA	5.5
Power dissipation Max	W	2.8
Output characteristics		
Number of connectable electrodes	Nr.	3
Type of electrode		Electrode and electrode holders: SN1 / SCM / CGL / PS31 / PS3S or similar
Electrode voltage		7.5 VAC
Sensitivity	k Ω	2.5...50 adjustable
Time delay		
Tripping time	s	1
Resetting time	s	1
Probe tripping delay		OFF...10s
Relay outputs		
Number of relays	Nr.	2
Relay state		Normally de-energised, energises at tripping
Contact arrangement		2 changeover contacts C/O-SPDT each
Rated operational voltage AC (IEC)	VAC	250
Maximum switching voltage	VAC	400
IEC Conventional free air thermal current I _{th} ≤ 40°C	A	8
UL/CSA and IEC/EN 60947-5-1 designation		B300
Electrical life (with rated load)	cycles	10 ⁵
Mechanical life	cycles	30x10 ⁶
Indications		
Indication		1 green LED for power on 1 red LED for relay state
Functions		
3 detecting electrodes (MIN, MAX and COM)		Yes
5 detecting electrodes (MIN1, MAX1, MIN2, MAX2 and COM)		No
Sensitivity adjustment 2.5...50k Ω		Yes
Sensitivity adjustment 2.5...100k Ω		No

Sensitivity adjustment 2.5...200k Ω	No
Adjustable sensitivity full-scale value 25-50-100-200 k Ω	No
Separate sensitivity adjustment for MAX probe (foam detection)	No
Emptying function	Yes
Filling function	Yes
Emptying function with MIN and/or MAX alarm	No
Filling function with MIN and/or MAX alarm	No
Emptying function with pump priority change	No
Filling function with pump priority change	No
Tank filling, well drawing and alarm	No
Filling-emptying adjustment selector	Yes
Programming selector for 5 different	No
Motor start-up priority change	No
Connections	
Terminals type	Screw
Tightening torque for terminals	max Nm 0.8 max lbin 7
Conductor cross section	
AWG/Kcmil	min AWG 24 Max AWG 12
IEC	min mm ² 0.2 Max mm ² 4
Insulations	
Rated insulation voltage Ui	V 415
Rated impulse withstand voltage Uimp	kV 6
Operating frequency withstand voltage	kV 4
Double insulation Supply / relay / electrode	VAC \leq 250
Ambient conditions	
Temperature	
Operating temperature	min °C -20 max °C +60
Storage temperature	min °C -30 max °C +80
Housing	
Execution	Modular DIN rail mounting
N° of modules	3
Material	Self-extinguishing polyamide
Mounting	35mm DIN rail (IEC/EN 60715) or by screws using extractable clips
IEC degree of protection	IP40 on front / IP20 on terminals
Dimensions (W x H x D)	mm 53.5 x 104.7 x 64.9
Weight	g 315

Dimensions



Wiring diagrams



Certifications and compliance

Compliance

CSA C22.2 n° 14
IEC/EN 60255-5
IEC/EN 61000-6-2
IEC/EN 61000-6-3
UL508

Certificates

cULus
EAC

ETIM classification

ETIM 8.0

EC001447 - (Fill)
level monitoring
relay