



Auxiliary supply		
Supply voltage Type		Dual voltage
Rated voltage Us		110... 127VAC/380... 415VAC
Operating voltage range		0.85...1.1 Us
Rated frequency	Hz	50/60
Power consumption Max	VA	5.5
Power dissipation Max	W	2.8
Output characteristics		
Number of connectable electrodes	Nr.	3
Type of electrode		Electrode and electrode holders: SN1 / SCM / CGL / PS31 / PS3S or similar
Electrode voltage		7.5 VAC
Sensitivity	kΩ	2.5...50 adjustable
Time delay		
Tripping time	s	1
Resetting time	s	1
Probe tripping delay		OFF...10s
Relay outputs		
Number of relays	Nr.	2
Relay state		Normally de- energised, energises at tripping
Contact arrangement		2 changeover contacts C/O- SPDT each
Rated operational voltage AC (IEC)	VAC	250
Maximum switching voltage	VAC	400
IEC Conventional free air thermal current I <sub>th</sub> ≤ 40°C	A	8
UL/CSA and IEC/EN 60947-5-1 designation		B300
Electrical life (with rated load)	cycles	10 <sup>5</sup>
Mechanical life	cycles	30x10 <sup>6</sup>
Indications		
Indication		1 green LED for power on 1 red LED for relay state
Functions		
3 detecting electrodes (MIN, MAX and COM)		Yes

5 detecting electrodes (MIN1, MAX1, MIN2, MAX2 and COM)	No
Sensitivity adjustment 2.5...50k $\Omega$	Yes
Sensitivity adjustment 2.5...100k $\Omega$	No
Sensitivity adjustment 2.5...200k $\Omega$	No
Adjustable sensitivity full-scale value 25-50-100-200 k $\Omega$	No
Separate sensitivity adjustment for MAX probe (foam detection)	No
Emptying function	Yes
Filling function	Yes
Emptying function with MIN and/or MAX alarm	No
Filling function with MIN and/or MAX alarm	No
Emptying function with pump priority change	No
Filling function with pump priority change	No
Tank filling, well drawing and alarm	No
Filling-emptying adjustment selector	Yes
Programming selector for 5 different	No
Motor start-up priority change	No

### Connections

Terminals type	Screw		
Tightening torque for terminals	max	Nm	0.8
	max	lbin	7
Conductor cross section			
AWG/Kcmil	min	AWG	24
	Max	AWG	12
IEC	min	mm <sup>2</sup>	0.2
	Max	mm <sup>2</sup>	4

### Insulations

Rated insulation voltage $U_i$	V	415
Rated impulse withstand voltage $U_{imp}$	kV	6
Operating frequency withstand voltage	kV	4
Double insulation Supply / relay / electrode	VAC	$\leq 250$

### Ambient conditions

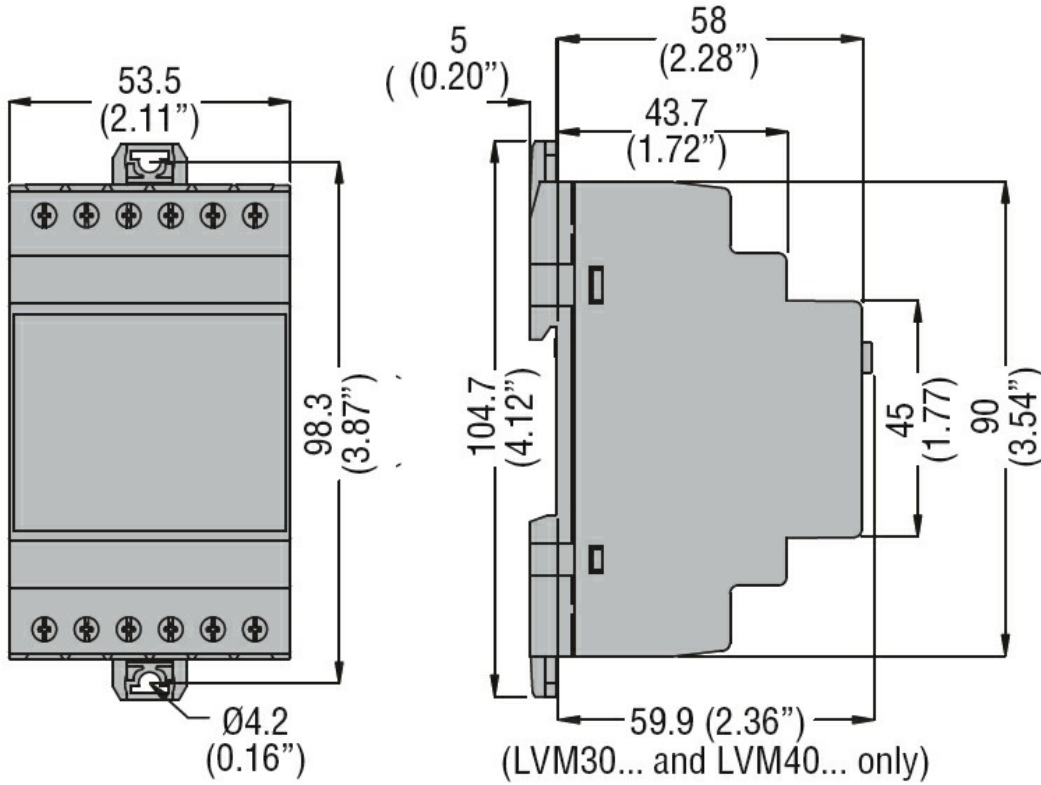
Temperature			
Operating temperature	min	°C	-20
	max	°C	+60
Storage temperature	min	°C	-30
	max	°C	+80

### Housing

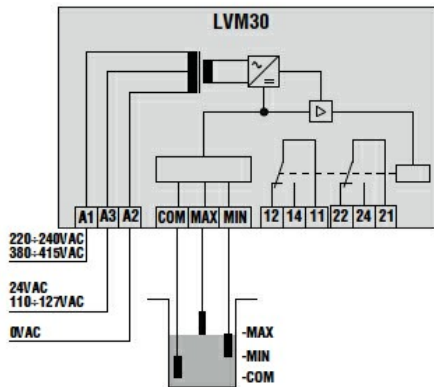
Execution	Modular DIN rail mounting
N° of modules	3
Material	Self-extinguishing polyamide
Mounting	35mm DIN rail (IEC/EN 60715) or by screws using extractable clips
IEC degree of protection	IP40 on front / IP20 on terminals

Dimensions (W x H x D)	mm	53.5 x 104.7 x 64.9
Weight	g	315

**Dimensions**



**Wiring diagrams**



**Certifications and compliance**

**Compliance**

- CSA C22.2 n° 14
- IEC/EN 60255-5
- IEC/EN 61000-6-2
- IEC/EN 61000-6-3
- UL508

**Certificates**

- cULus
- EAC

**ETIM classification**

ETIM 8.0

EC001447 - (Fill)  
level monitoring  
relay