



Auxiliary supply			
Supply voltage Type			Single voltage
Rated auxiliary supply voltage Us			
	AC		
		min	VAC 220
		Max	VAC 240
Operating voltage range			0.85...1.1 Us
Rated frequency		Hz	50/60
Power consumption Max		VA	4.5
Power dissipation Max		W	2.8
Output characteristics			
Number of connectable electrodes		Nr.	5
Type of electrode			Electrode and electrode holders: SN1 / SCM / CGL / PS31 / PS3S or similar
Electrode voltage			10 Vpp
Sensitivity		kΩ	2.5...200 adjustable
Time delay			
Tripping time		s	1
Resetting time		s	1
Probe tripping delay			1...10s
Relay outputs			
Number of relays		Nr.	2
Relay state			Normally de-energised, energises at tripping
Contact arrangement			1 changeover contact C/O-SPDT + 1 contact NO-SPST
Rated operational voltage AC (IEC)		VAC	250
Maximum switching voltage		VAC	400
IEC Conventional free air thermal current I _{th} ≤ 40°C		A	8
UL/CSA and IEC/EN 60947-5-1 designation			B300
Electrical life (with rated load)		cycles	10 ⁵
Mechanical life		cycles	30x10 ⁶
Indications			

Indication	1 green LED indicator for power on 2 red LEDs for relay state 2 red LEDs for probe state
------------	--

Functions

3 detecting electrodes (MIN, MAX and COM)	No
5 detecting electrodes (MIN1, MAX1, MIN2, MAX2 and COM)	Yes
Sensitivity adjustment 2.5...50k Ω	No
Sensitivity adjustment 2.5...100k Ω	No
Sensitivity adjustment 2.5...200k Ω	Yes
Adjustable sensitivity full-scale value 25-50-100-200 k Ω	Yes
Separate sensitivity adjustment for MAX probe (foam detection)	Yes
Emptying function	Yes
Filling function	Yes
Emptying function with MIN and/or MAX alarm	Yes
Filling function with MIN and/or MAX alarm	Yes
Emptying function with pump priority change	Yes
Filling function with pump priority change	Yes
Tank filling, well drawing and alarm	Yes
Filling-emptying adjustment selector	No
Programming selector for 5 different	Yes
Motor start-up priority change	No

Connections

Tightening torque for terminals	max Nm 0.8	max Ibin 7
Conductor cross section		
AWG/Kcmil	min AWG 24	Max AWG 12
IEC	min mm ² 0.2	Max mm ² 4

Insulations

Rated insulation voltage U_i	V 415
Rated impulse withstand voltage U_{imp}	kV 6
Operating frequency withstand voltage	kV 4
Double insulation Supply / relay / electrode	VAC ≤ 250

Ambient conditions

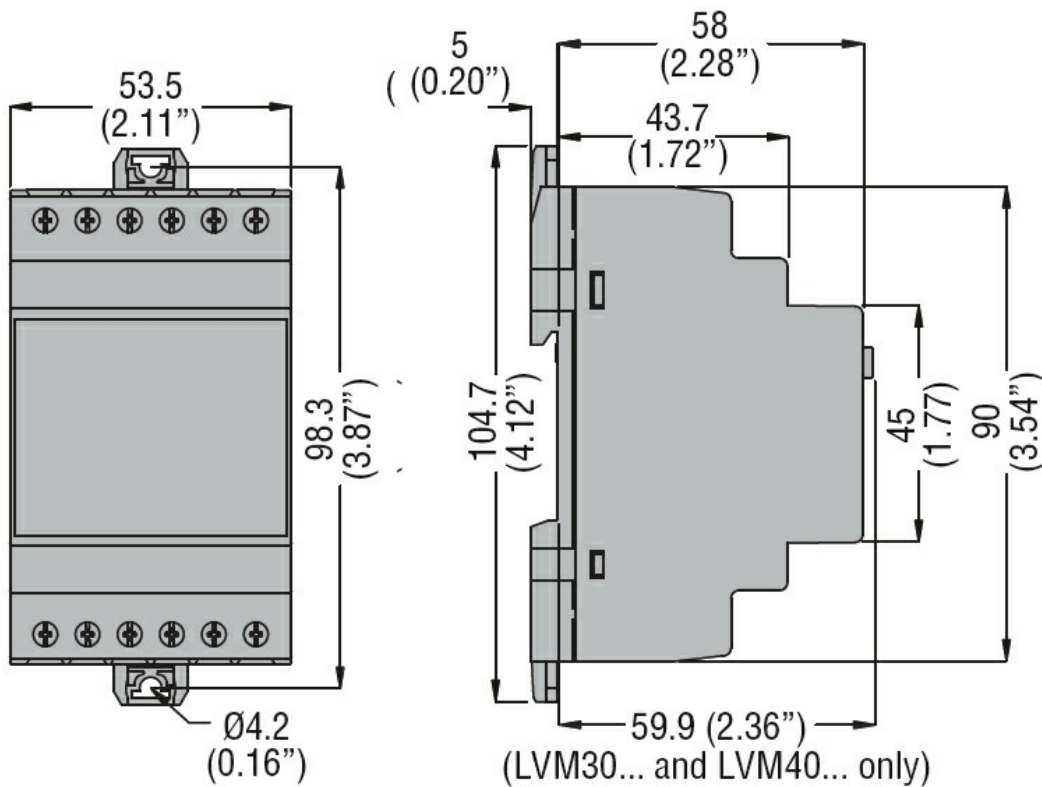
Temperature			
Operating temperature	min °C -20	max °C +60	
Storage temperature	min °C -30	max °C +80	

Housing

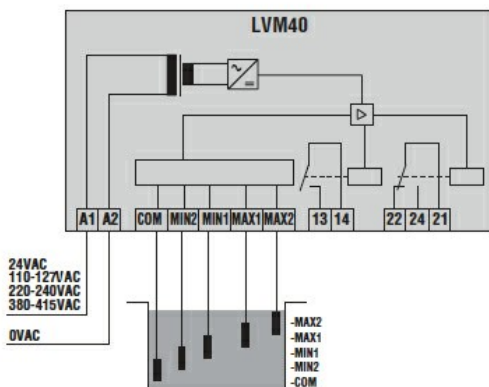
Execution	Modular DIN rail mounting
N° of modules	3

Material	Self-extinguishing polyamide	
Mounting	35mm DIN rail (IEC/EN 60715) or by screws using extractable clips	
IEC degree of protection	IP40 on front / IP20 on terminals	
Dimensions (W x H x D)	mm	53.5 x 104.7 x 64.9
Weight	g	278

Dimensions



Wiring diagrams



Certifications and compliance

Compliance

CSA C22.2 n° 14
IEC/EN 60255-5
IEC/EN 61000-6-2

IEC/EN 61000-6-3

UL508

Certificates

cULus

EAC

ETIM classification

ETIM 8.0

EC001447 - (Fill)
level monitoring
relay