



Auxiliary supply			
Supply voltage Type			Single voltage
Rated auxiliary supply voltage Us			
AC			
	min	VAC	24
Operating voltage range			0.85...1.1 Us
Rated frequency		Hz	50/60
Power consumption Max		VA	3.5
Power dissipation Max		W	1.8
Output characteristics			
Number of connectable electrodes		Nr.	3
Type of electrode			Electrode and electrode holders: SN1 / SCM / CGL / PS31 / PS3S or similar
Electrode voltage			7.5 VAC
Sensitivity		kΩ	2.5...50 adjustable
Time delay			
Tripping time		s	≤0.6
Resetting time		s	≤0.75
Relay outputs			
Number of relays		Nr.	1
Relay state			Normally de-energised, energises at tripping
Contact arrangement			1 changeover contact C/O-SPDT
Rated operational voltage AC (IEC)		VAC	250
Maximum switching voltage		VAC	400
IEC Conventional free air thermal current I _{th} ≤ 40°C		A	8
UL/CSA and IEC/EN 60947-5-1 designation			B300
Electrical life (with rated load)		cycles	10 ⁵
Mechanical life		cycles	30x10 ⁶
Indications			
Indication			1 green LED for power on 1 red LED for relay state
Functions			
3 detecting electrodes (MIN, MAX and COM)			Yes
5 detecting electrodes (MIN1, MAX1, MIN2, MAX2 and COM)			No

Sensitivity adjustment 2.5...50k Ω	Yes
Sensitivity adjustment 2.5...100k Ω	No
Sensitivity adjustment 2.5...200k Ω	No
Adjustable sensitivity full-scale value 25-50-100-200 k Ω	No
Separate sensitivity adjustment for MAX probe (foam detection)	No
Emptying function	Yes
Filling function	No
Emptying function with MIN and/or MAX alarm	No
Filling function with MIN and/or MAX alarm	No
Emptying function with pump priority change	No
Filling function with pump priority change	No
Tank filling, well drawing and alarm	No
Filling-emptying adjustment selector	No
Programming selector for 5 different	No
Motor start-up priority change	No

Connections

Terminals type	Screw
Tightening torque for terminals	max Nm 0.8 max lbin 7

Conductor cross section			
AWG/Kcmil	min	AWG	24
	Max	AWG	12
IEC	min	mm ²	0.2
	Max	mm ²	4

Insulations

Rated insulation voltage Ui	V	415
Rated impulse withstand voltage Uimp	kV	6
Operating frequency withstand voltage	kV	4
Double insulation Supply / relay / electrode	VAC	≤250

Ambient conditions

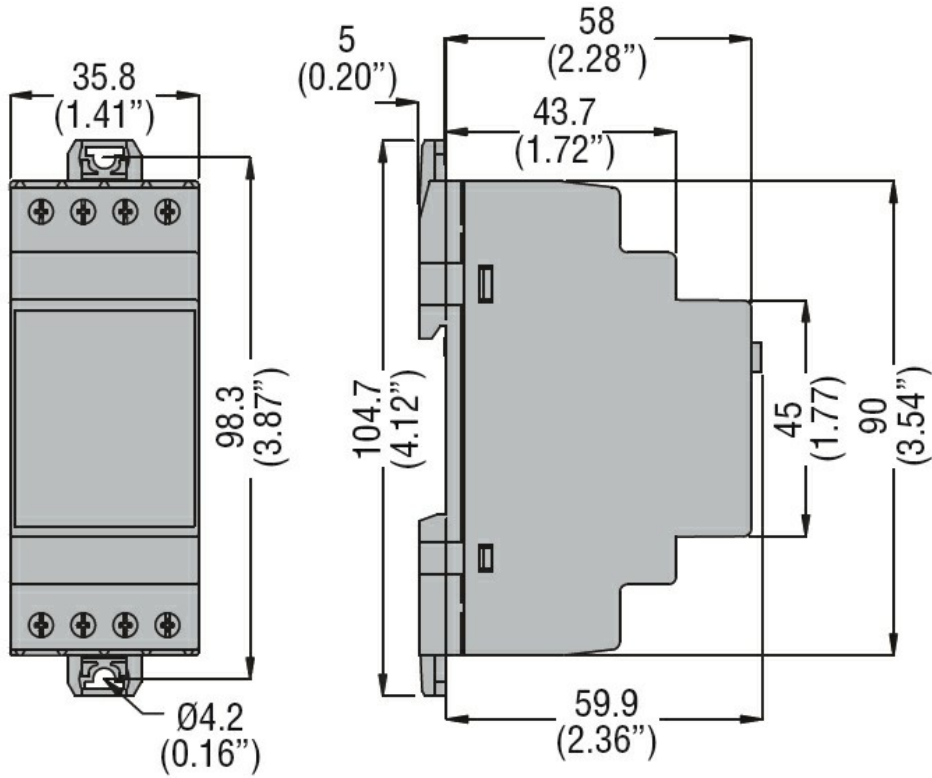
Temperature			
Operating temperature	min	°C	-20
	max	°C	+60
Storage temperature	min	°C	-30
	max	°C	+80

Housing

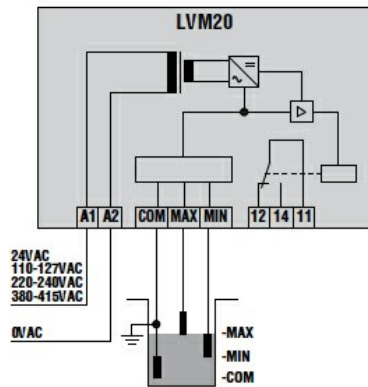
Execution	Modular DIN rail mounting
N° of modules	2
Material	Self-extinguishing polyamide
Mounting	35mm DIN rail (IEC/EN 60715) or by screws using extractable clips
IEC degree of protection	IP40 on front / IP20 on terminals

Dimensions (W x H x D)	mm	35.8 x 104.7 x 64.9
Weight	g	215

Dimensions



Wiring diagrams



Certifications and compliance

Compliance

CSA C22.2 n° 14
IEC/EN 60255-5
IEC/EN 61000-6-2
IEC/EN 61000-6-3
UL508

Certificates

/

ETIM classification

ETIM 8.0

EC001447 - (Fill)
level monitoring
relay