



Auxiliary supply

Supply voltage Type	Single voltage		
Rated auxiliary supply voltage Us	AC		
	min	VAC	220
	Max	VAC	240
Operating voltage range	0.85...1.1 Us		
Rated frequency	Hz	50/60	
Power consumption Max	VA	3.5	
Power dissipation Max	W	1.8	

Output characteristics

Number of connectable electrodes	Nr.	3	
Type of electrode	Electrode and electrode holders: SN1 / SCM / CGL / PS31 / PS3S or similar		
Electrode voltage	7.5 VAC		
Sensitivity	kΩ	2.5...50 adjustable	

Time delay

Tripping time	s	≤0.6
Resetting time	s	≤0.75

Relay outputs

Number of relays	Nr.	1	
Relay state	Normally de-energised, energises at tripping		
Contact arrangement	1 changeover contact C/O-SPDT		
Rated operational voltage AC (IEC)	VAC	250	
Maximum switching voltage	VAC	400	
IEC Conventional free air thermal current I _{th} ≤ 40°C	A	8	
UL/CSA and IEC/EN 60947-5-1 designation	B300		
Electrical life (with rated load)	cycles	10 ⁵	
Mechanical life	cycles	30x10 ⁶	

Indications

Indication	1 green LED for power on 1 red LED for relay state		
------------	---	--	--

Functions

3 detecting electrodes (MIN, MAX and COM)	Yes
---	-----

5 detecting electrodes (MIN1, MAX1, MIN2, MAX2 and COM)	No
Sensitivity adjustment 2.5...50k Ω	Yes
Sensitivity adjustment 2.5...100k Ω	No
Sensitivity adjustment 2.5...200k Ω	No
Adjustable sensitivity full-scale value 25-50-100-200 k Ω	No
Separate sensitivity adjustment for MAX probe (foam detection)	No
Emptying function	Yes
Filling function	No
Emptying function with MIN and/or MAX alarm	No
Filling function with MIN and/or MAX alarm	No
Emptying function with pump priority change	No
Filling function with pump priority change	No
Tank filling, well drawing and alarm	No
Filling-emptying adjustment selector	No
Programming selector for 5 different	No
Motor start-up priority change	No

Connections

Terminals type	Screw		
Tightening torque for terminals	max	Nm	0.8
	max	lbin	7
Conductor cross section			
AWG/Kcmil	min	AWG	24
	Max	AWG	12
IEC	min	mm ²	0.2
	Max	mm ²	4

Insulations

Rated insulation voltage Ui	V	415
Rated impulse withstand voltage Uimp	kV	6
Operating frequency withstand voltage	kV	4
Double insulation Supply / relay / electrode	VAC	≤250

Ambient conditions

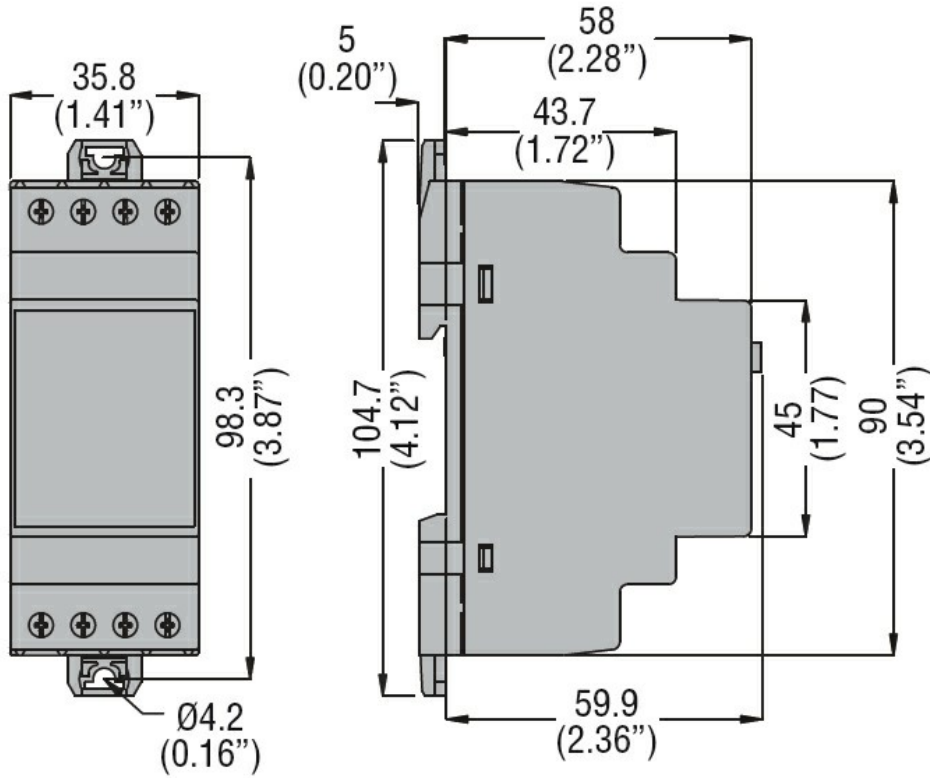
Temperature			
Operating temperature	min	°C	-20
	max	°C	+60
Storage temperature	min	°C	-30
	max	°C	+80

Housing

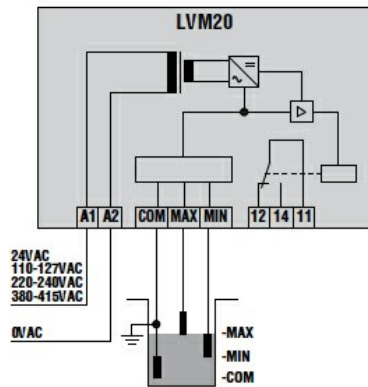
Execution	Modular DIN rail mounting
N° of modules	2
Material	Self-extinguishing polyamide
Mounting	35mm DIN rail (IEC/EN 60715) or by screws using extractable clips
IEC degree of protection	IP40 on front / IP20 on terminals

Dimensions (W x H x D)	mm	35.8 x 104.7 x 64.9
Weight	g	215

Dimensions



Wiring diagrams



Certifications and compliance

Compliance

- CSA C22.2 n° 14
- IEC/EN 60255-5
- IEC/EN 61000-6-2
- IEC/EN 61000-6-3
- UL508

Certificates

/

ETIM classification

ETIM 8.0

EC001447 - (Fill)
level monitoring
relay