



### Auxiliary supply

Supply voltage Type	Multi voltage		
Rated auxiliary supply voltage Us	AC		
	min	VAC	85
	Max	VAC	265
Operating voltage range	85...265VAC		
Rated frequency		Hz	50/60
Operational frequency	min	Hz	47
	max	Hz	63
Power dissipation Max		W	7.5

### Relay outputs

Number of relays	Nr.	4	
Relay state	Normally de-energised, energises at tripping		
Contact arrangement	4 NO		
Rated operational voltage AC (IEC)	VAC	250	
Maximum switching voltage	VAC	265	
IEC Conventional free air thermal current I <sub>th</sub> ≤ 40°C	A	8	
Electrical life (with rated load)	cycles	10 <sup>5</sup>	

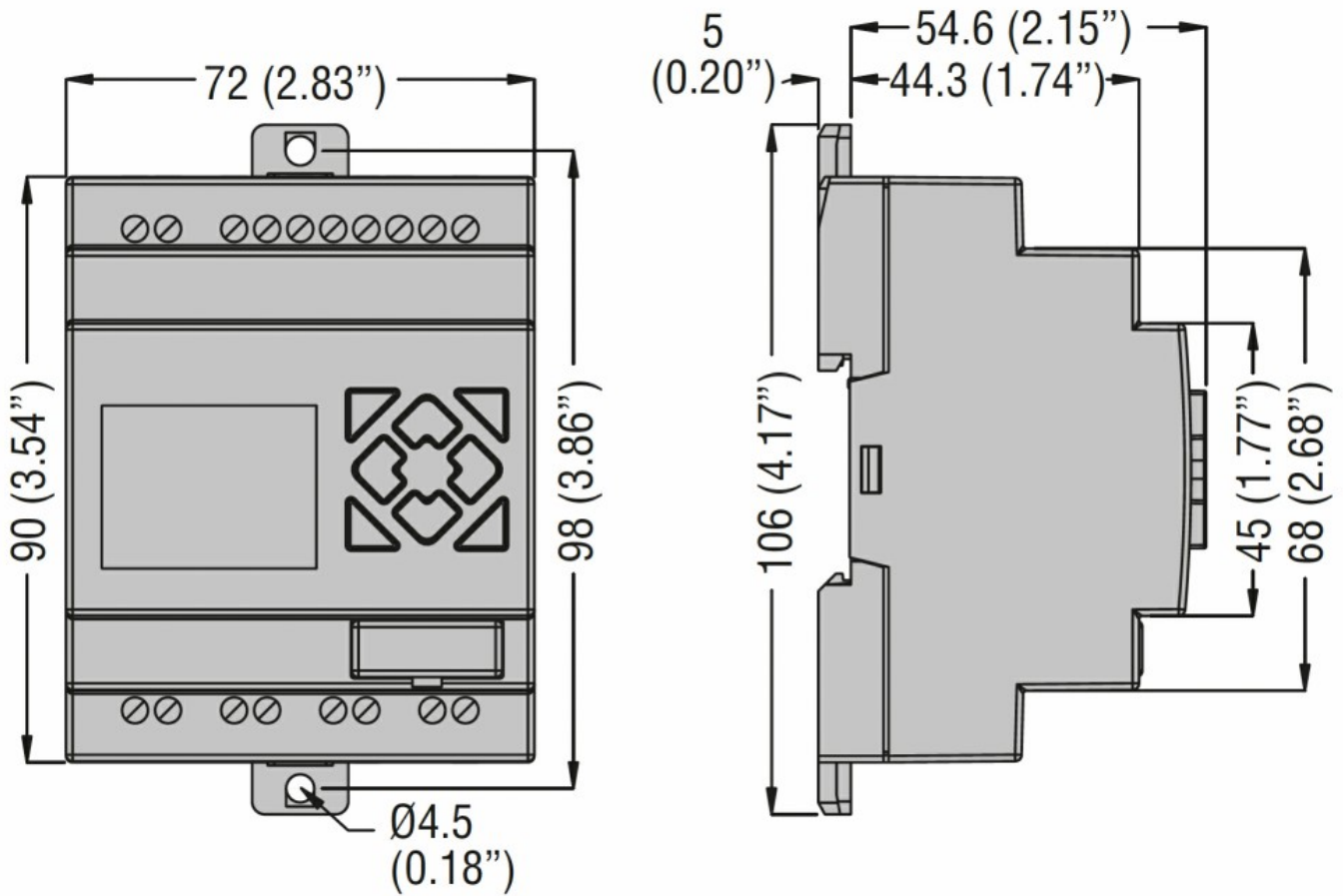
### Indications

Indication	Display for monitoring motor status, number of starts and working hours		
------------	---	--	--

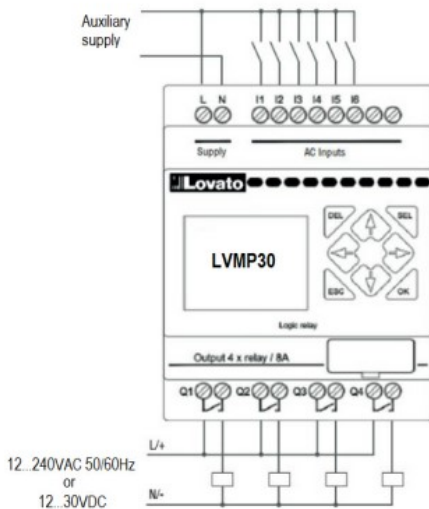
### Functions

3 detecting electrodes (MIN, MAX and COM)	No
5 detecting electrodes (MIN1, MAX1, MIN2, MAX2 and COM)	No
Sensitivity adjustment 2.5...50k Ω	No
Sensitivity adjustment 2.5...100k Ω	No
Sensitivity adjustment 2.5...200k Ω	No
Adjustable sensitivity full-scale value 25-50-100-200 k Ω	No
Separate sensitivity adjustment for MAX probe (foam detection)	No
Emptying function	No
Filling function	No
Emptying function with MIN and/or MAX alarm	No
Filling function with MIN and/or MAX alarm	No
Emptying function with pump priority change	No
Filling function with pump priority change	No
Tank filling, well drawing and alarm	No
Filling-emptying adjustment selector	No

Programming selector for 5 different				No
Motor start-up priority change				Yes
<b>Connections</b>				
Terminals type				Screw
Tightening torque for terminals		max	Nm	0.6
		max	Ibin	5.3
<b>Conductor cross section</b>				
	AWG/Kcmil			
		min	AWG	26
		Max	AWG	14
	IEC			
		min	mm <sup>2</sup>	0.14
		Max	mm <sup>2</sup>	2.5
<b>Ambient conditions</b>				
<b>Temperature</b>				
	Operating temperature			
		min	°C	-20
		max	°C	+55
	Storage temperature			
		min	°C	-40
		max	°C	+70
Relative humidity			%	20...90
<b>Housing</b>				
Execution				Modular DIN rail mounting
N° of modules				4
Material				Polyamide
Mounting				35mm DIN rail (IEC/EN 60715) or by screws using extractable clips
IEC degree of protection				IP20
Dimensions (W x H x D)		mm		72 x 106 x 59.6
Weight		g		242
<b>Dimensions</b>				



## Wiring diagrams



Terminals / Morsetti	Description	Descrizione
L-N	Auxiliary supply: LVMP30A024: 24VAC 50/60Hz LVMP30A240: 100...240VAC 50/60Hz	Alimentazione ausiliaria: LVMP30A024: 24VAC 50/60Hz LVMP30A240: 100...240VAC 50/60Hz
I1	Minimum level (enable)	Livello minimo (abilitazione)
I2	Start pump 1 input	Ingresso start pompa 1
I3	Start pump 2 input	Ingresso start pompa 2
I4	Start pump 3 input	Ingresso start pompa 3
I5	Start pump 4 input	Ingresso start pompa 4
I6	Latch enable	Abilitazione memoria
Q1	Pump 1 command output	Uscita comando pompa 1
Q2	Pump 2 command output	Uscita comando pompa 2
Q3	Pump 3 command output	Uscita comando pompa 3
Q4	Pump 4 command output	Uscita comando pompa 4

## Certifications and compliance

### Compliance

CSA C22.2 n°142  
IEC/EN/BS 61131-2  
UL508

### Certificates

cULus  
EAC

## ETIM classification

ETIM 8.0

EC001447 - (Fill)  
level monitoring  
relay