



**Electrical features**

Maximum operating current ( $\leq 440V$ )	A	10
---	---	----

**Components**

Starter enclosure standard supplied	M0PA
Contactor standard supplied	BG0910A
Thermal relay to purchase separately	RF9...

**UL technical data**

UL degree of protection	Type 1, 12K, 4, 4X
-------------------------	--------------------

**Mechanical features**

Weight	g	667
--------	---	-----

**Ambient conditions**

Operating temperature	min	°C	-25
	max	°C	+60

**Storage temperature**

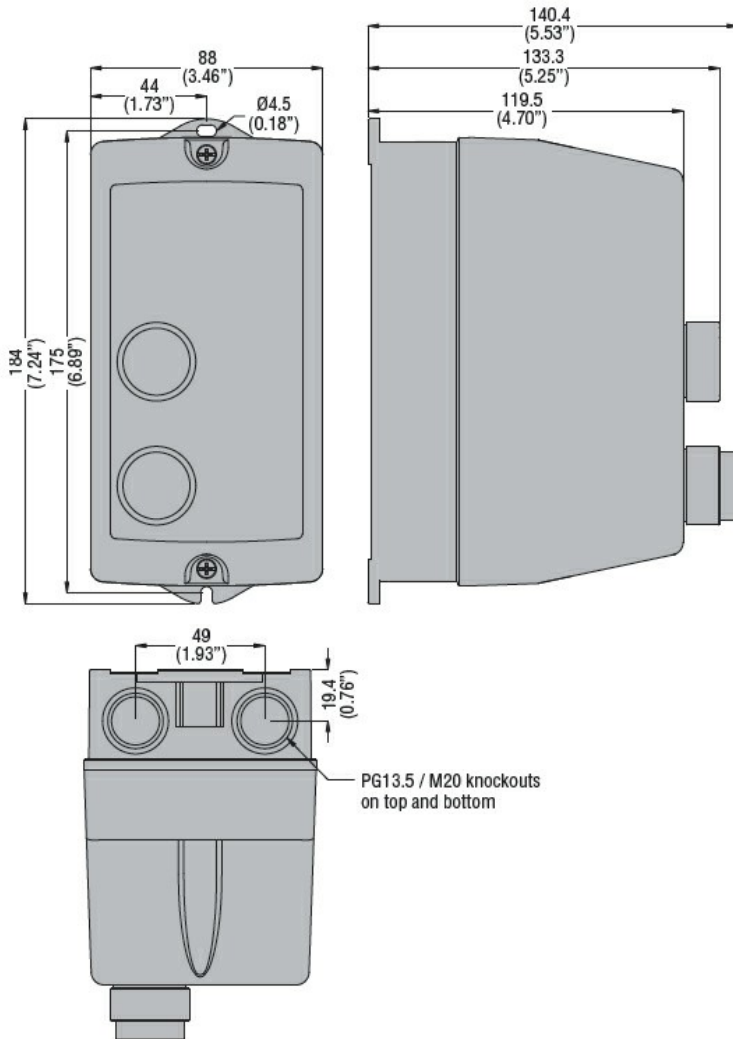
min	°C	-40
max	°C	+70

**Resistance & Protection**

IEC degree of protection	IP65
--------------------------	------

**Dimensions**

DIRECT-ON-LINE-STARTER, ENCLOSED WITHOUT THERMAL OVERLOAD RELAY, WITH START AND STOP/RESET BUTTONS, WITH BG09/BG12 CONTACTOR, 12A MAX ( $\leq 440V$ ), IP65. CONTACTOR COIL VOLTAGE 24VAC 50/60HZ



Wiring diagrams



I = Start; O = Stop/Reset

#### Certifications and compliance

##### Compliance

IEC/EN 60947-1  
IEC/EN 60947-4-1  
UL508 CSA C22.2 n° 14

##### Certificates

CSAus  
cULus  
EAC

#### ETIM classification

ETIM 8.0

EC001037 -  
Motor  
starter/Motor  
starter  
combination