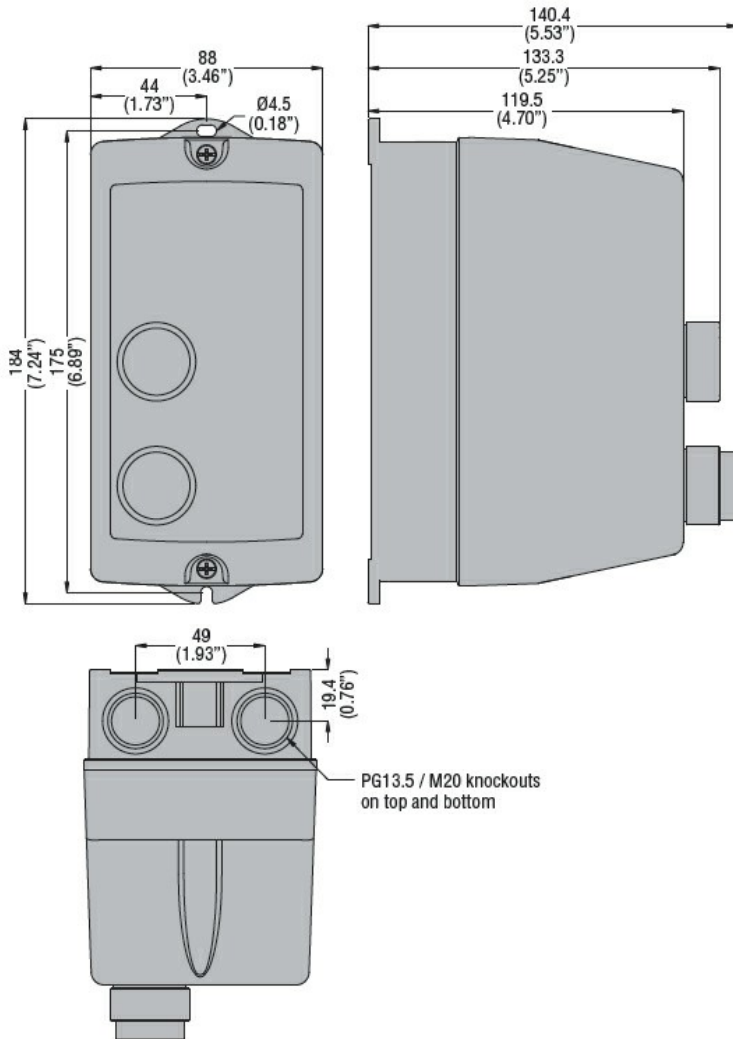




Electrical features			
Maximum operating current ($\leq 440V$)	A		10
Components			
Starter enclosure standard supplied			M0PA
Contactor standard supplied			BG0910A
Thermal relay to purchase separately			RF9...
UL technical data			
UL degree of protection			Type 1, 12K, 4, 4X
Mechanical features			
Weight	g		667
Ambient conditions			
Operating temperature	min	°C	-25
	max	°C	+60
Storage temperature	min	°C	-40
	max	°C	+70
Resistance & Protection			
IEC degree of protection			IP65
Dimensions			

DIRECT-ON-LINE-STARTER, ENCLOSED WITHOUT THERMAL OVERLOAD RELAY, WITH START AND STOP/RESET BUTTONS, WITH BG09/BG12 CONTACTOR, 12A MAX ($\leq 440V$), IP65. CONTACTOR COIL VOLTAGE 400VAC 50/60HZ



Wiring diagrams



I = Start; O = Stop/Reset

Certifications and compliance

Compliance

IEC/EN 60947-1
IEC/EN 60947-4-1
UL508 CSA C22.2 n° 14

Certificates

CSAus
cULus
EAC

ETIM classification

ETIM 8.0

EC001037 -
Motor
starter/Motor
starter
combination