



**Electrical features**

Relay adj range	A	6-10
IEC technical characteristics ( $\leq 440V$ )		
	le	10
	A	3...4
	kW	

**Components**

Starter enclosure standard supplied	M0PA
Contactor standard supplied	BG0910A
Thermal relay standard supplied	RF910

**UL technical data**

Maximum UL/CSA horsepower ratings single-phase			
	110V-120V	HP	0.5
	220V-240V	HP	1.5
Maximum UL/CSA horsepower ratings three-phase, 3-pole			
	200V-208V	HP	2
	220V-240V	HP	3
	440V-480V	HP	5
	550V-600V	HP	5
UL degree of protection			Type 1, 12K, 4, 4X

**Mechanical features**

Weight	g	760
--------	---	-----

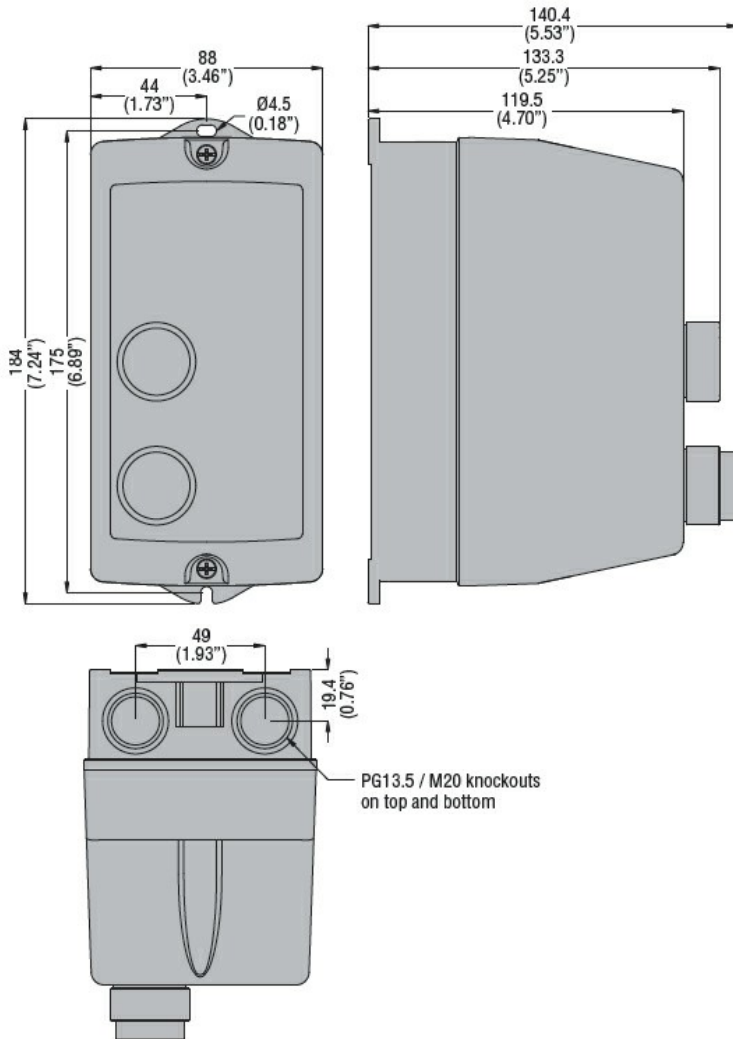
**Ambient conditions**

Operating temperature			
	min	°C	-25
	max	°C	+60
Storage temperature			
	min	°C	-40
	max	°C	+70

**Resistance & Protection**

IEC degree of protection	IP65
--------------------------	------

**Dimensions**



Wiring diagrams



I = Start; O = Stop/Reset

**Certifications and compliance**

Compliance

IEC/EN 60947-1  
IEC/EN 60947-4-1  
UL508 CSA C22.2 n° 14

Certificates

CSAus  
cULus  
EAC

**ETIM classification**

ETIM 8.0

EC001037 -  
Motor  
starter/Motor  
starter  
combination