



Electrical features

| | | | |
|---|----|----|-----------|
| Relay adj range | | A | 3-5 |
| IEC technical characteristics ($\leq 440V$) | | | |
| | le | A | 5 |
| | kW | kW | 1.5...2.2 |

Components

| | |
|-------------------------------------|---------|
| Starter enclosure standard supplied | M0PA |
| Contactor standard supplied | BG0910A |
| Thermal relay standard supplied | RF95 |

UL technical data

| | | | |
|---|-----------|----|--------------------|
| Maximum UL/CSA horsepower ratings single-phase | | | |
| | 220V-240V | HP | 0.5 |
| Maximum UL/CSA horsepower ratings three-phase, 3-pole | | | |
| | 200V-208V | HP | 1 |
| | 220V-240V | HP | 1 |
| | 440V-480V | HP | 3 |
| | 550V-600V | HP | 3 |
| UL degree of protection | | | Type 1, 12K, 4, 4X |

Mechanical features

| | | |
|--------|---|-----|
| Weight | g | 760 |
|--------|---|-----|

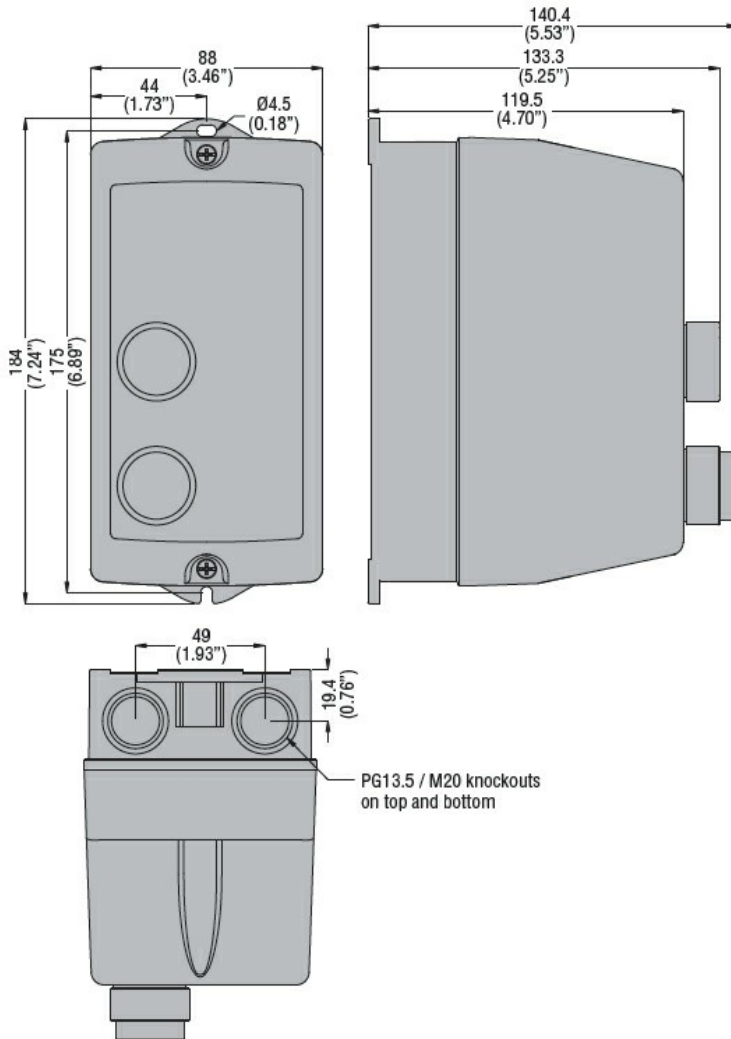
Ambient conditions

| | | | |
|-----------------------|-----|----|-----|
| Operating temperature | | | |
| | min | °C | -25 |
| | max | °C | +60 |
| Storage temperature | | | |
| | min | °C | -40 |
| | max | °C | +70 |

Resistance & Protection

| | |
|--------------------------|------|
| IEC degree of protection | IP65 |
|--------------------------|------|

Dimensions



Wiring diagrams

