



### Electrical features

Relay adj range	A	0.9-1.5
-----------------	---	---------

IEC technical characteristics ( $\leq 440V$ )

le	A	1.5
kW	kW	0.37

### Components

Starter enclosure standard supplied	M0PA
-------------------------------------	------

Contactor standard supplied	BG0910A
-----------------------------	---------

Thermal relay standard supplied	RF91V5
---------------------------------	--------

### UL technical data

Maximum UL/CSA horsepower ratings three-phase, 3-pole

440V-480V	HP	0.75
550V-600V	HP	0.75

UL degree of protection	Type 1, 12K, 4, 4X
-------------------------	--------------------

### Mechanical features

Weight	g	760
--------	---	-----

### Ambient conditions

Operating temperature

min	°C	-25
max	°C	+60

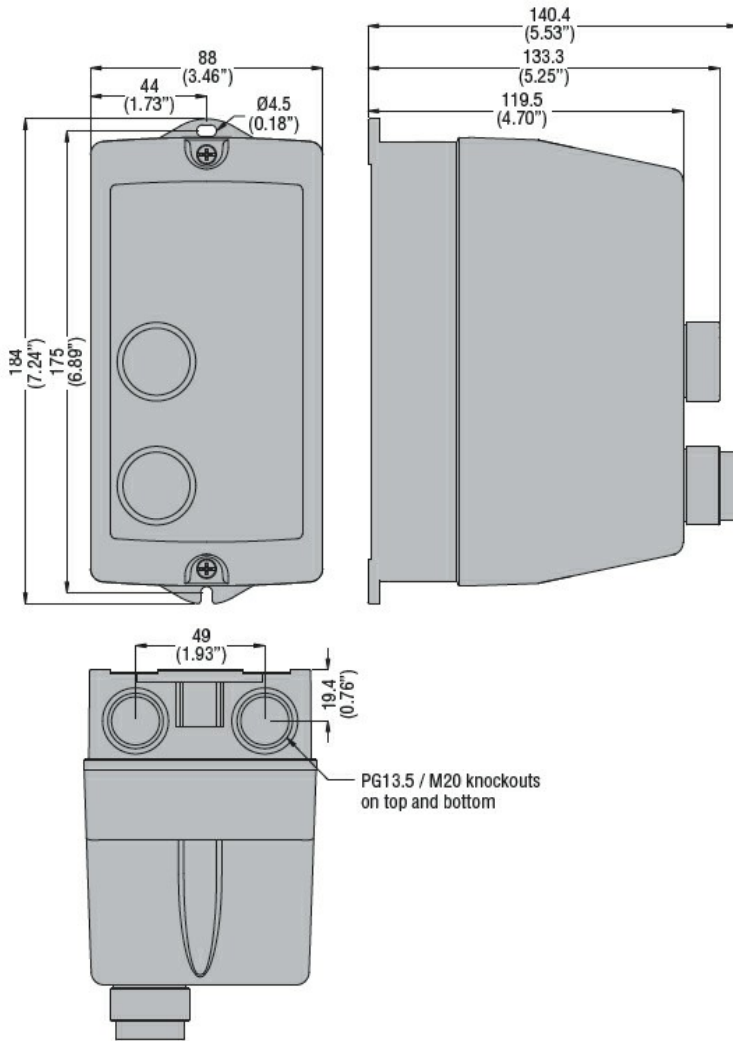
Storage temperature

min	°C	-40
max	°C	+70

### Resistance & Protection

IEC degree of protection	IP65
--------------------------	------

### Dimensions



Wiring diagrams



I = Start; O = Stop/Reset

#### Certifications and compliance

##### Compliance

IEC/EN 60947-1  
IEC/EN 60947-4-1  
UL508 CSA C22.2 n° 14

##### Certificates

CSAus  
cULus  
EAC

#### ETIM classification

ETIM 8.0

EC001037 -  
Motor  
starter/Motor  
starter  
combination