



Electrical features

| | | |
|-----------------|---|---------|
| Relay adj range | A | 4.5-7.5 |
|-----------------|---|---------|

IEC technical characteristics ($\leq 440V$)

| | | |
|----|----|---------|
| le | A | 7.5 |
| kW | kW | 2.2...3 |

Components

| | |
|-------------------------------------|------|
| Starter enclosure standard supplied | M0PA |
|-------------------------------------|------|

| | |
|-----------------------------|---------|
| Contactor standard supplied | BG0910A |
|-----------------------------|---------|

| | |
|---------------------------------|-------|
| Thermal relay standard supplied | RF975 |
|---------------------------------|-------|

UL technical data

Maximum UL/CSA horsepower ratings single-phase

| | | |
|-----------|----|------|
| 220V-240V | HP | 0.75 |
|-----------|----|------|

Maximum UL/CSA horsepower ratings three-phase, 3-pole

| | | |
|-----------|----|-----|
| 200V-208V | HP | 1.5 |
| 220V-240V | HP | 2 |
| 440V-480V | HP | 5 |
| 550V-600V | HP | 5 |

| | |
|-------------------------|--------------------|
| UL degree of protection | Type 1, 12K, 4, 4X |
|-------------------------|--------------------|

Mechanical features

| | | |
|--------|---|-----|
| Weight | g | 760 |
|--------|---|-----|

Ambient conditions

Operating temperature

| | | |
|-----|----|-----|
| min | °C | -25 |
| max | °C | +60 |

Storage temperature

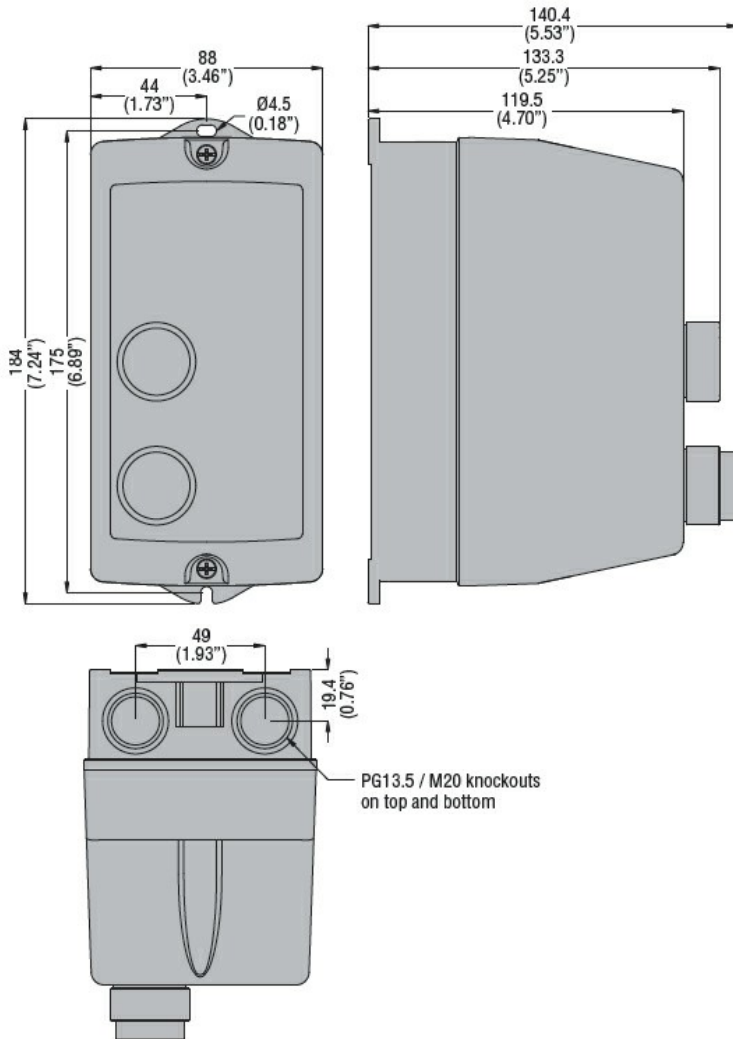
| | | |
|-----|----|-----|
| min | °C | -40 |
| max | °C | +70 |

Resistance & Protection

| | |
|--------------------------|------|
| IEC degree of protection | IP65 |
|--------------------------|------|

Dimensions

DIRECT-ON-LINE-STARTER, 4.5...7.5A (2.2...3KW AT 400V), IP65, CONTACTOR COIL VOLTAGE 400VAC 50/60HZ, NON-METALLIC ENCLOSURE, WITH THERMAL OVERLOAD RELAY, WITH START AND STOP/RESET BUTTONS



Wiring diagrams



I = Start; O = Stop/Reset

Certifications and compliance

Compliance

IEC/EN 60947-1
IEC/EN 60947-4-1
UL508 CSA C22.2 n° 14

Certificates

CSAus
cULus
EAC

ETIM classification

ETIM 8.0

EC001037 -
Motor
starter/Motor
starter
combination