



Electrical features

Relay adj range	A	2-3.3
IEC technical characteristics ($\leq 440V$)		

le	A	3.3
kW	kW	1.1

Components

Starter enclosure standard supplied	M0PA
Contactor standard supplied	BG0910A
Thermal relay standard supplied	RF933

UL technical data

Maximum UL/CSA horsepower ratings single-phase	220V-240V	HP	0.25
Maximum UL/CSA horsepower ratings three-phase, 3-pole	200V-208V	HP	0.75
	220V-240V	HP	1.5
	440V-480V	HP	1.5
	550V-600V	HP	2
UL degree of protection	Type 1, 12K, 4, 4X		

Mechanical features

Weight	g	760
--------	---	-----

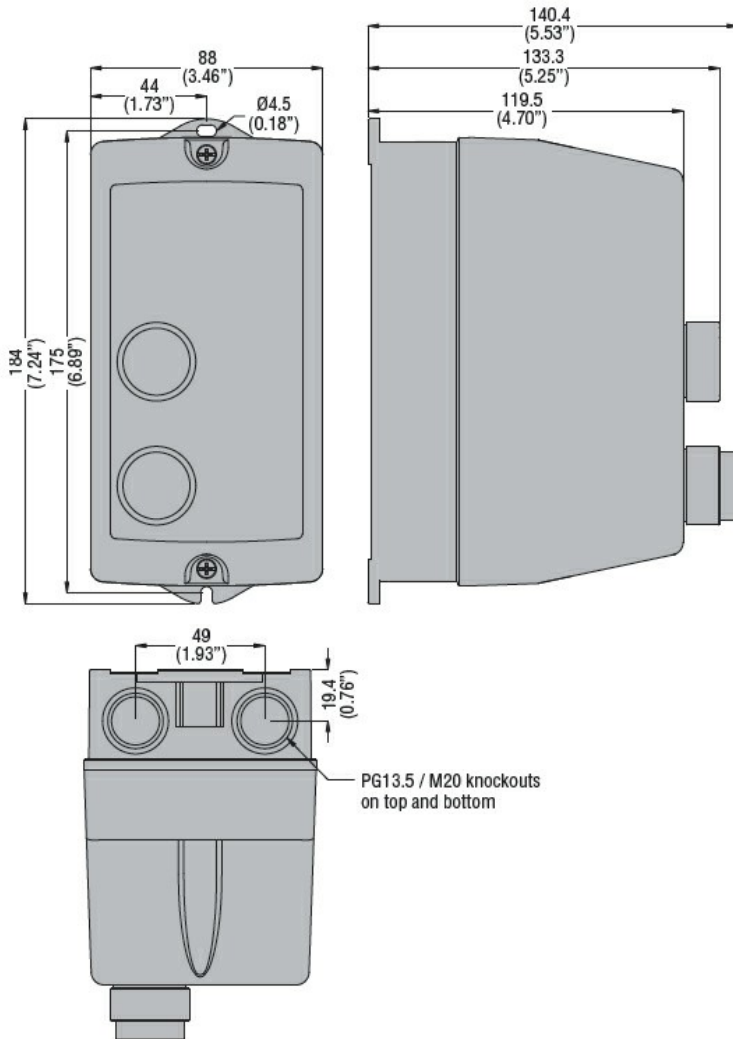
Ambient conditions

Operating temperature	min	°C	-25
	max	°C	+60
Storage temperature	min	°C	-40
	max	°C	+70

Resistance & Protection

IEC degree of protection	IP65
--------------------------	------

Dimensions



Wiring diagrams

