



### Electrical features

Relay adj range		A	3-5
IEC technical characteristics ( $\leq 440V$ )			
	le	A	5
	kW	kW	1.5...2.2

### Components

Starter enclosure standard supplied	M0PA
Contactor standard supplied	BG0910A
Thermal relay standard supplied	RF95

### UL technical data

Maximum UL/CSA horsepower ratings single-phase			
	220V-240V	HP	0.5
Maximum UL/CSA horsepower ratings three-phase, 3-pole			
	200V-208V	HP	1
	220V-240V	HP	1
	440V-480V	HP	3
	550V-600V	HP	3
UL degree of protection			Type 1, 12K, 4, 4X

### Mechanical features

Weight	g	760
--------	---	-----

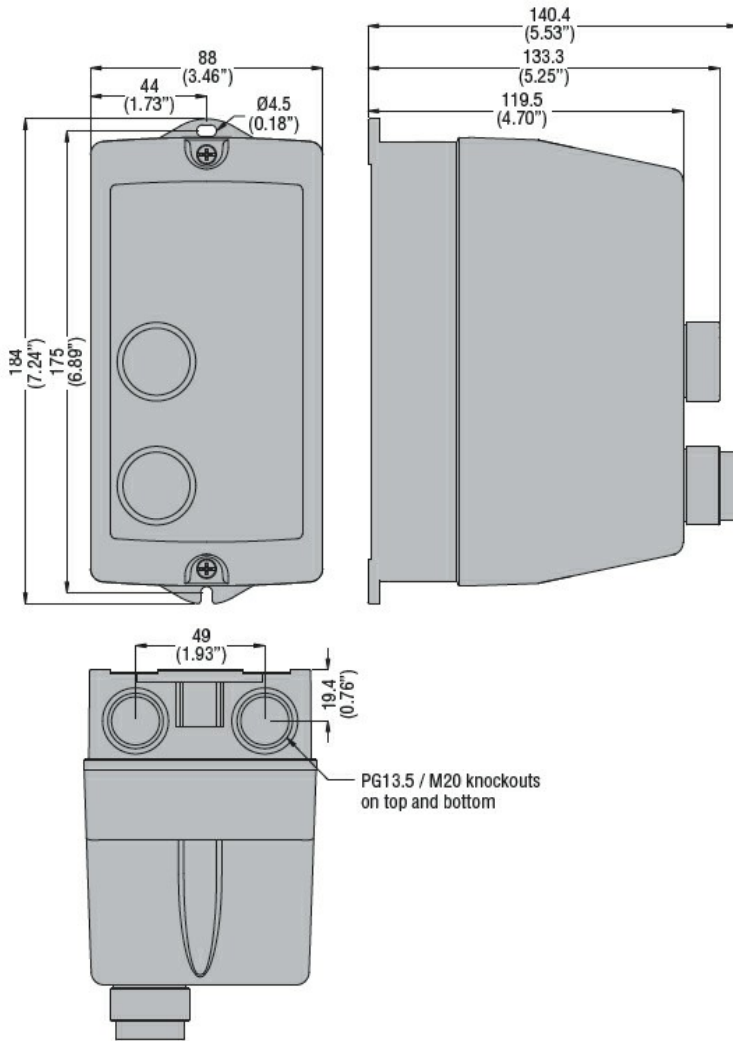
### Ambient conditions

Operating temperature			
	min	°C	-25
	max	°C	+60
Storage temperature			
	min	°C	-40
	max	°C	+70

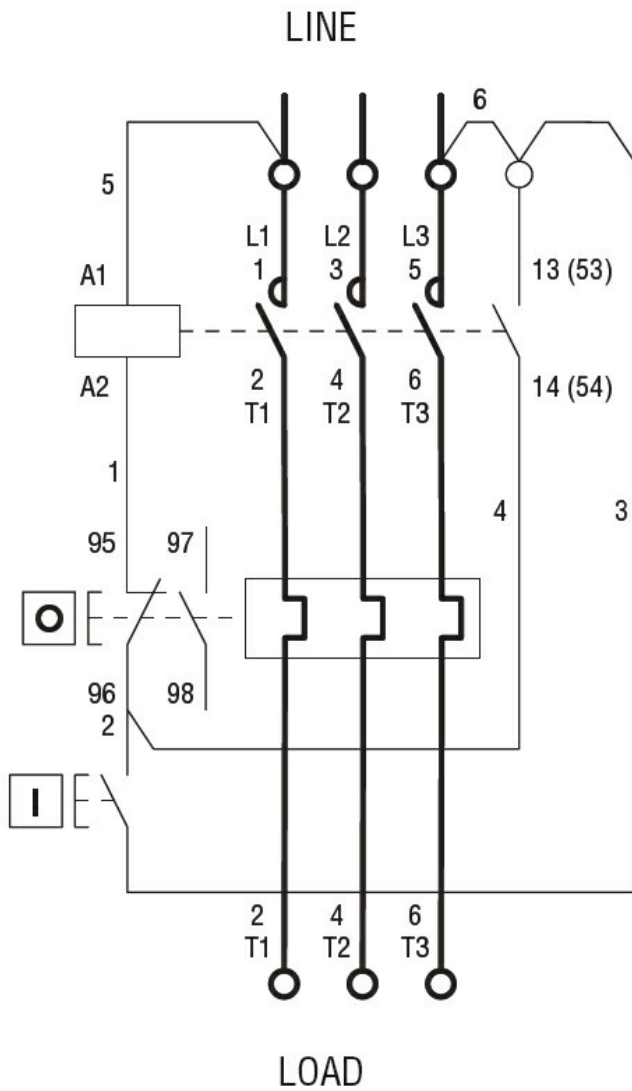
### Resistance & Protection

IEC degree of protection	IP65
--------------------------	------

### Dimensions



Wiring diagrams



I = Start; O = Stop/Reset

#### Certifications and compliance

##### Compliance

IEC/EN 60947-1  
IEC/EN 60947-4-1  
UL508 CSA C22.2 n° 14

##### Certificates

CSAus  
cULus  
EAC

#### ETIM classification

ETIM 8.0

EC001037 -  
Motor  
starter/Motor  
starter  
combination