



**Electrical features**

Maximum operating current ( $\leq 440V$ ) A 12

**Components**

Starter enclosure standard supplied M0PA

Contactor standard supplied BG1210A

Thermal relay to purchase separately RF9...

**UL technical data**

UL degree of protection Type 1, 12K, 4, 4X

**Mechanical features**

Weight g 667

**Ambient conditions**

Operating temperature

min	°C	-25
max	°C	+60

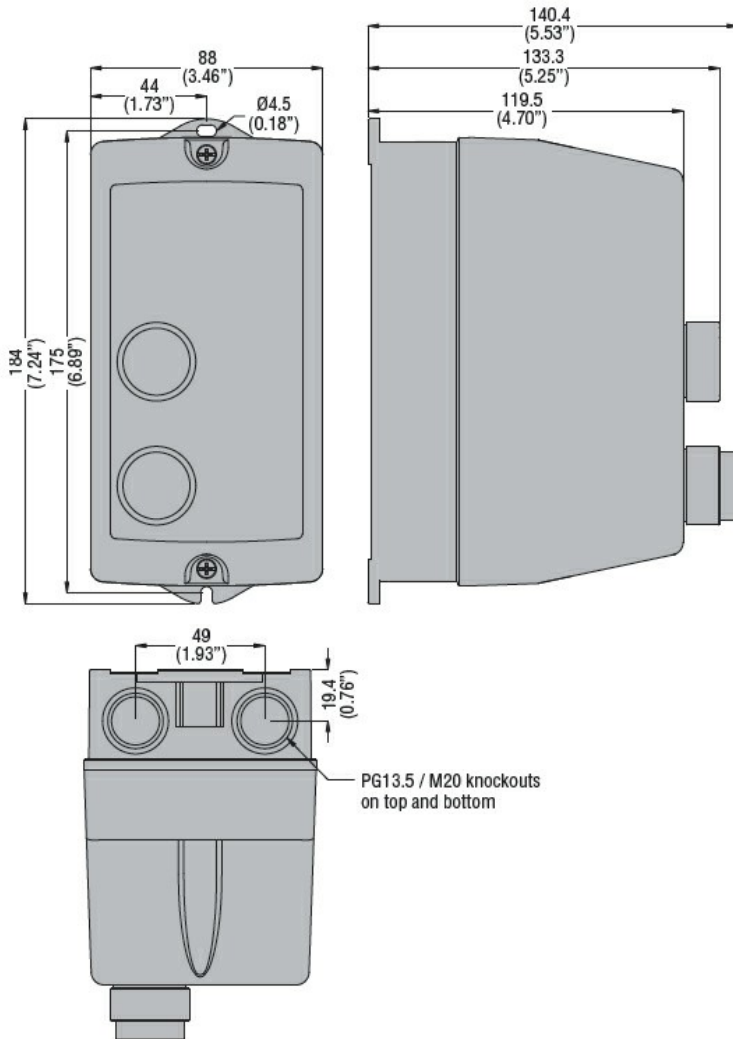
Storage temperature

min	°C	-40
max	°C	+70

**Resistance & Protection**

IEC degree of protection IP65

**Dimensions**



Wiring diagrams



I = Start; O = Stop/Reset

**Certifications and compliance**

Compliance

IEC/EN 60947-1  
IEC/EN 60947-4-1  
UL508 CSA C22.2 n° 14

Certificates

CSAus  
cULus  
EAC

**ETIM classification**

ETIM 8.0

EC001037 -  
Motor  
starter/Motor  
starter  
combination