



**Electrical features**

Maximum operating current ( $\leq 440V$ )	A	12
---	---	----

**Components**

Starter enclosure standard supplied	M0PA
Contactor standard supplied	BG1210A
Thermal relay to purchase separately	RF9...

**UL technical data**

UL degree of protection	Type 1, 12K, 4, 4X
-------------------------	--------------------

**Mechanical features**

Weight	g	667
--------	---	-----

**Ambient conditions**

Operating temperature	min	°C	-25
	max	°C	+60

**Storage temperature**

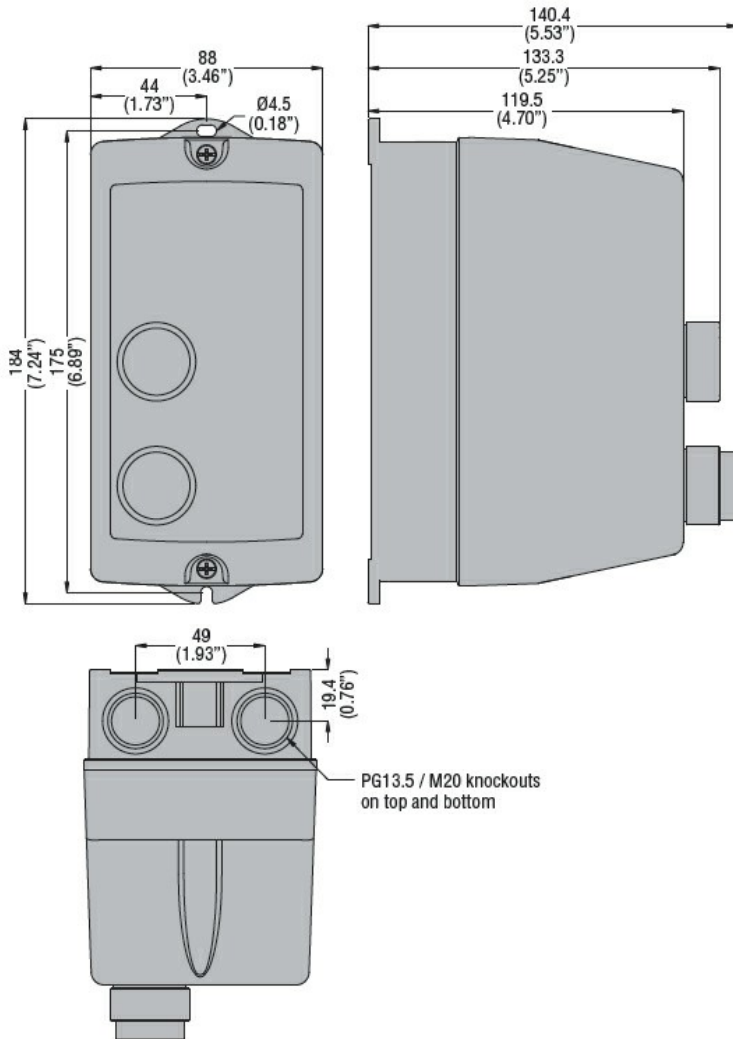
min	°C	-40
max	°C	+70

**Resistance & Protection**

IEC degree of protection	IP65
--------------------------	------

**Dimensions**

DIRECT-ON-LINE-STARTER, ENCLOSED WITHOUT THERMAL OVERLOAD RELAY, WITH START AND STOP/RESET BUTTONS, WITH BG09/BG12 CONTACTOR, 10A MAX ( $\leq 440V$ ), IP65. CONTACTOR COIL VOLTAGE 230VAC 50/60HZ



Wiring diagrams

