



Electrical features

Relay adj range A 9-15

IEC technical characteristics ($\leq 440V$)

le	A	12
kW	kW	5.5

Components

Starter enclosure standard supplied M0PA

Contacteur standard supplied BG1210A

Thermal relay standard supplied RF915

UL technical data

Maximum UL/CSA horsepower ratings single-phase

110V-120V	HP	0.5
220V-240V	HP	1.5

Maximum UL/CSA horsepower ratings three-phase, 3-pole

200V-208V	HP	3
220V-240V	HP	3
440V-480V	HP	7.5
550V-600V	HP	10

UL degree of protection Type 1, 12K, 4, 4X

Mechanical features

Weight g 760

Ambient conditions

Operating temperature

min	°C	-25
max	°C	+60

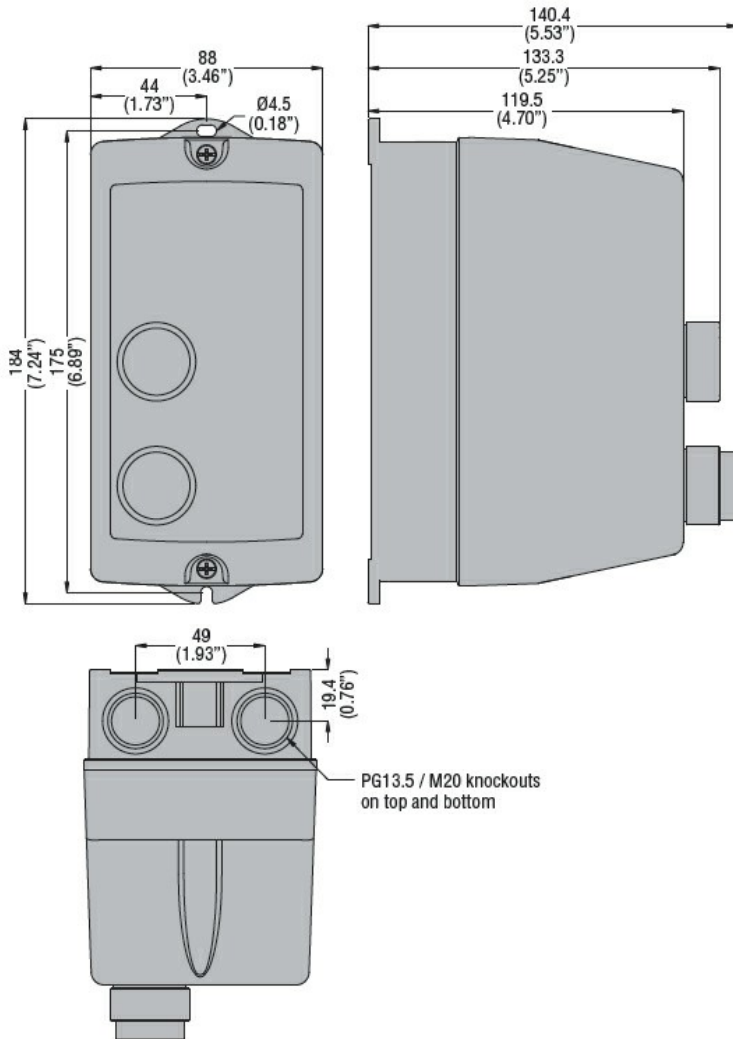
Storage temperature

min	°C	-40
max	°C	+70

Resistance & Protection

IEC degree of protection IP65

Dimensions



Wiring diagrams



I = Start; O = Stop/Reset

Certifications and compliance

Compliance

IEC/EN 60947-1
IEC/EN 60947-4-1
UL508 CSA C22.2 n° 14

Certificates

CSAus
cULus
EAC

ETIM classification

ETIM 8.0

EC001037 -
Motor
starter/Motor
starter
combination