



Electrical features

Relay adj range	A	9-15
IEC technical characteristics ($\leq 440V$)		
	le	12
	A	12
	kW	5.5

Components

Starter enclosure standard supplied	M0PA
Contactor standard supplied	BG1210A
Thermal relay standard supplied	RF915

UL technical data

Maximum UL/CSA horsepower ratings single-phase			
	110V-120V	HP	0.5
	220V-240V	HP	1.5
Maximum UL/CSA horsepower ratings three-phase, 3-pole			
	200V-208V	HP	3
	220V-240V	HP	3
	440V-480V	HP	7.5
	550V-600V	HP	10
UL degree of protection	Type 1, 12K, 4, 4X		

Mechanical features

Weight	g	760
--------	---	-----

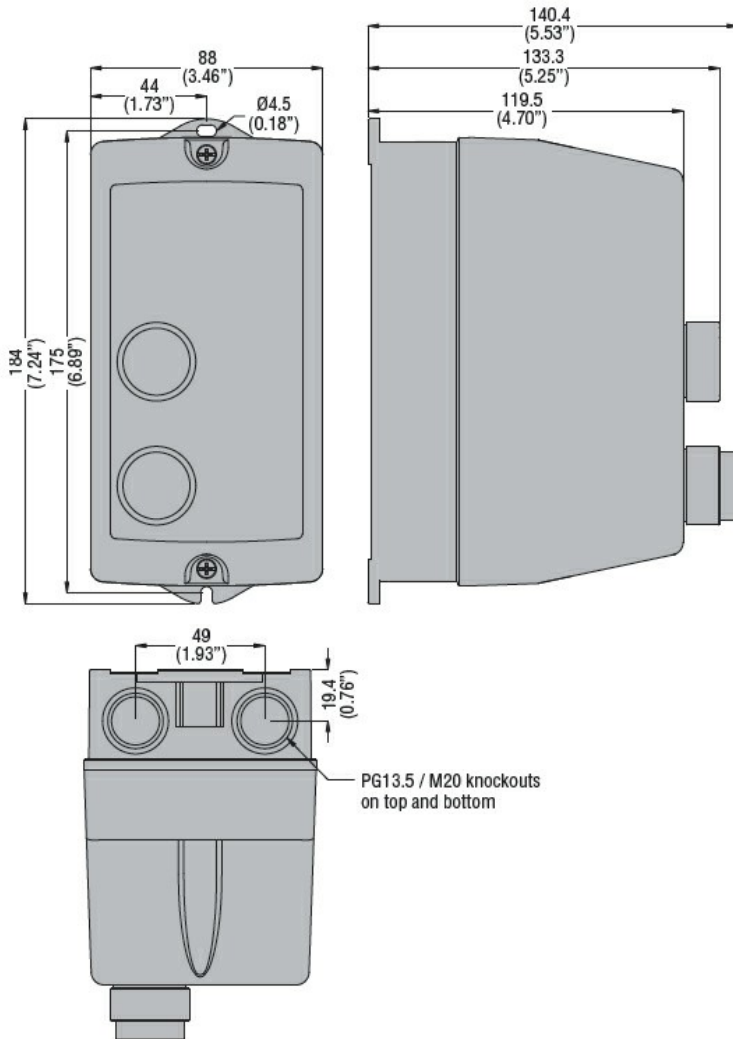
Ambient conditions

Operating temperature			
	min	°C	-25
	max	°C	+60
Storage temperature			
	min	°C	-40
	max	°C	+70

Resistance & Protection

IEC degree of protection	IP65
--------------------------	------

Dimensions



Wiring diagrams



I = Start; O = Stop/Reset

Certifications and compliance

Compliance

IEC/EN 60947-1
IEC/EN 60947-4-1
UL508 CSA C22.2 n° 14

Certificates

CSAus
cULus
EAC

ETIM classification

ETIM 8.0

EC001037 -
Motor
starter/Motor
starter
combination