



#### Electrical features

Maximum operating current ( $\leq 440V$ ) A 12

#### Components

Contactor standard supplied BG06, BG09, BG12

Thermal relay to purchase separately RF9

#### UL technical data

UL degree of protection Type 1, 12K, 4, 4X

#### Mechanical features

Weight g 490

#### Ambient conditions

Operating temperature

min	°C	-25
max	°C	+60

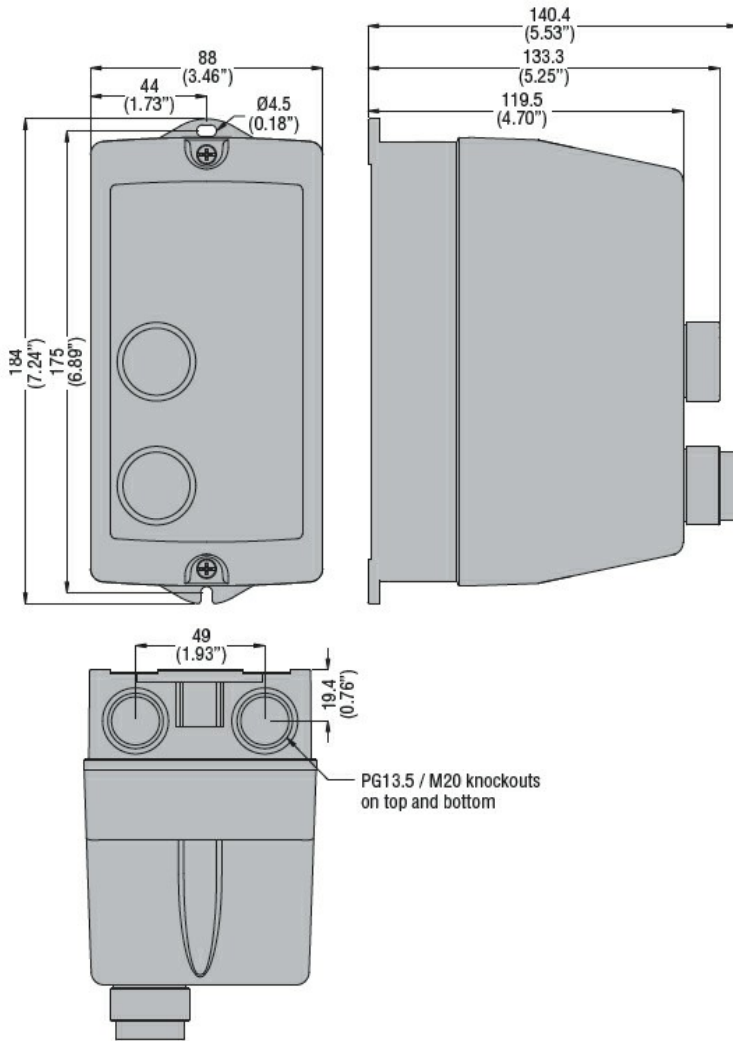
Storage temperature

min	°C	-40
max	°C	+70

#### Resistance & Protection

IEC degree of protection IP65

#### Dimensions



Wiring diagrams



I = Start; O = Stop/Reset

**Certifications and compliance**

Compliance

CSA C22.2 n° 14  
IEC/EN 60947-1  
IEC/EN 60947-4-1  
UL508

Certificates

cULus

**ETIM classification**

ETIM 8.0

EC000200 -  
Enclosure for  
control circuit  
devices