



Electrical features

| | | |
|---|---|----|
| Maximum operating current ($\leq 440V$) | A | 10 |
|---|---|----|

Components

| | |
|--------------------------------------|---------|
| Starter enclosure standard supplied | M0RA |
| Contactor standard supplied | BG0910A |
| Thermal relay to purchase separately | RF9... |

UL technical data

| | |
|-------------------------|--------------------|
| UL degree of protection | Type 1, 12K, 4, 4X |
|-------------------------|--------------------|

Mechanical features

| | | |
|--------|---|-----|
| Weight | g | 627 |
|--------|---|-----|

Ambient conditions

| | | | |
|-----------------------|-----|----|-----|
| Operating temperature | min | °C | -25 |
| | max | °C | +60 |

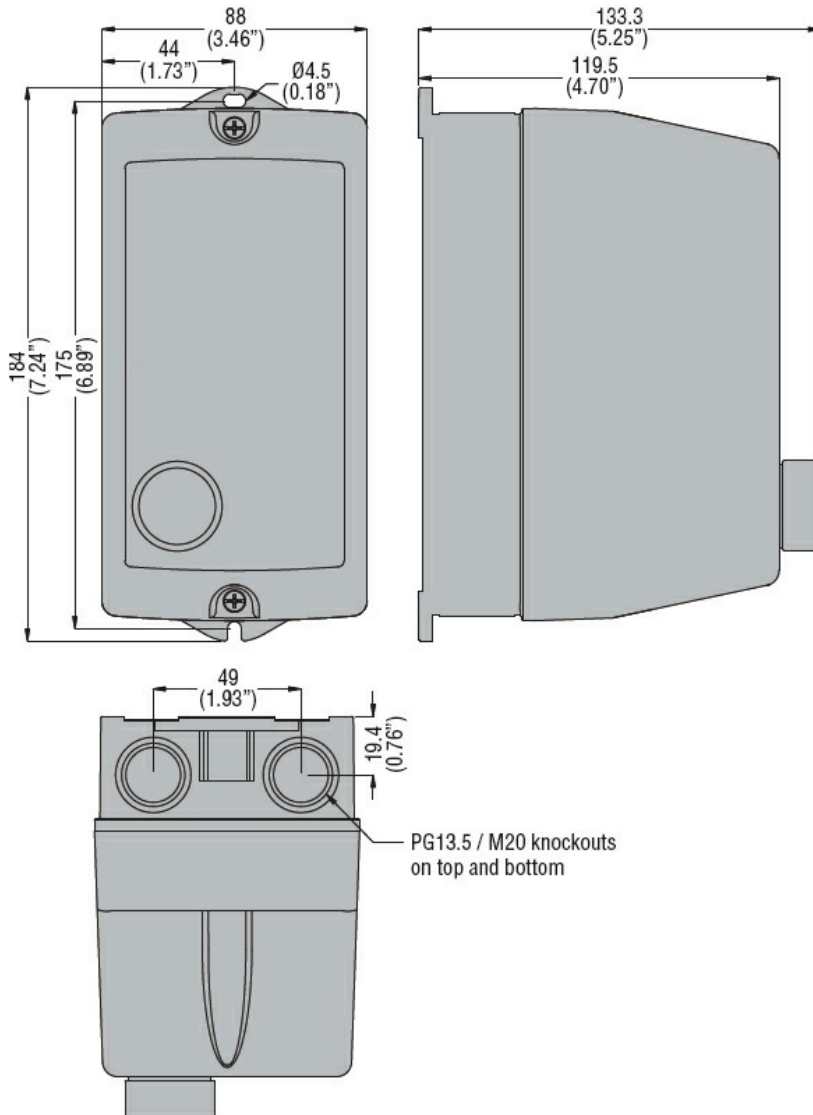
Storage temperature

| | | |
|-----|----|-----|
| min | °C | -40 |
| max | °C | +70 |

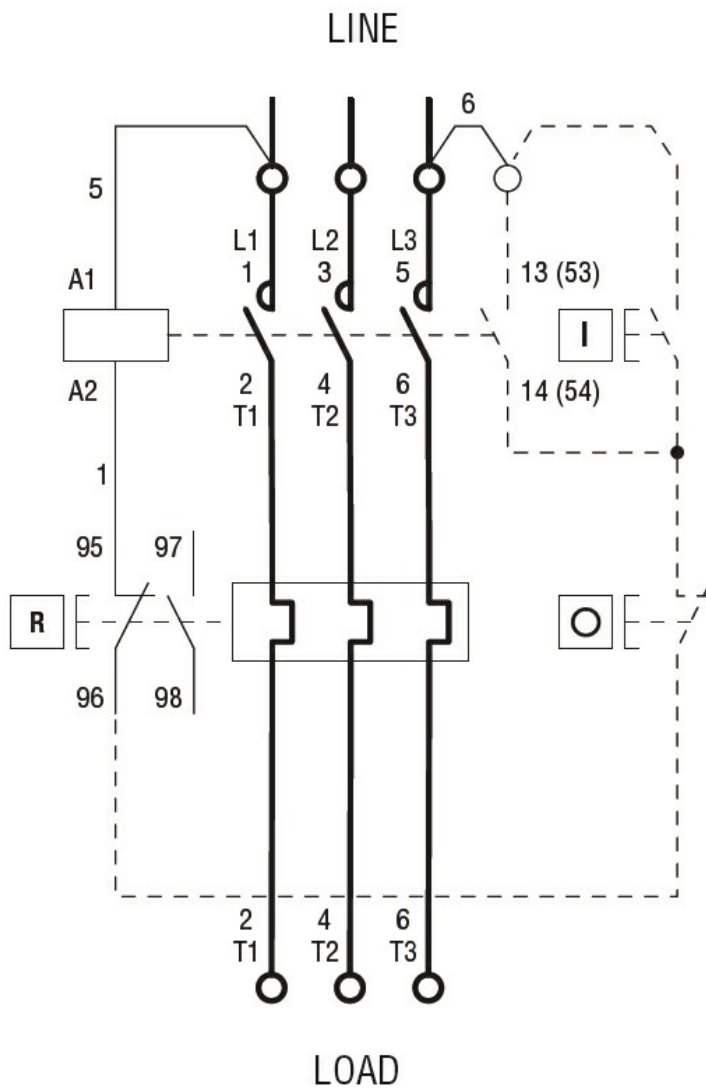
Resistance & Protection

| | |
|--------------------------|------|
| IEC degree of protection | IP65 |
|--------------------------|------|

Dimensions



Wiring diagrams



R = Reset; I = Start; O = Stop

Certifications and compliance

Compliance

IEC/EN 60947-1
IEC/EN 60947-4-1
UL508 CSA C22.2 n° 14

Certificates

CSAus
cULus
EAC

ETIM classification

ETIM 8.0

EC001037 -
Motor
starter/Motor
starter
combination