



Electrical features

Maximum operating current ($\leq 440V$)	A	10
---	---	----

Components

Starter enclosure standard supplied	M0RA
Contactor standard supplied	BG0910A
Thermal relay to purchase separately	RF9...

UL technical data

UL degree of protection	Type 1, 12K, 4, 4X
-------------------------	--------------------

Mechanical features

Weight	g	627
--------	---	-----

Ambient conditions

Operating temperature	min	°C	-25
	max	°C	+60

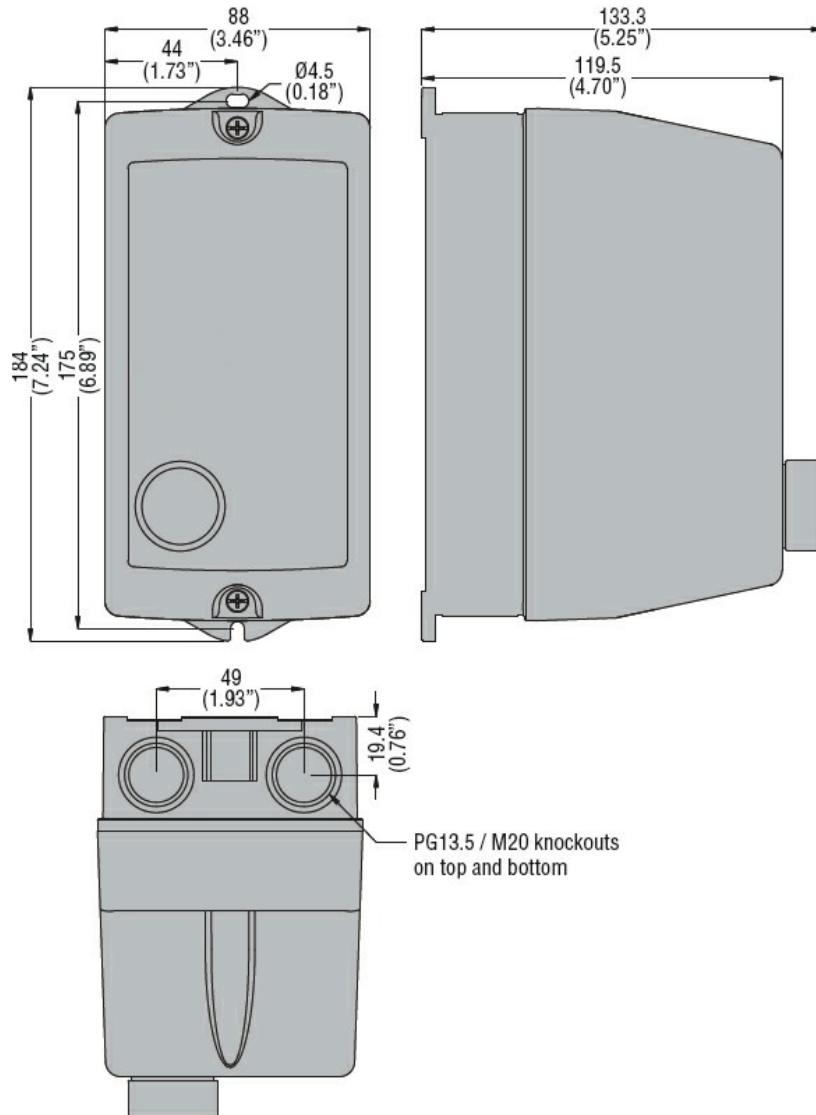
Storage temperature

min	°C	-40
max	°C	+70

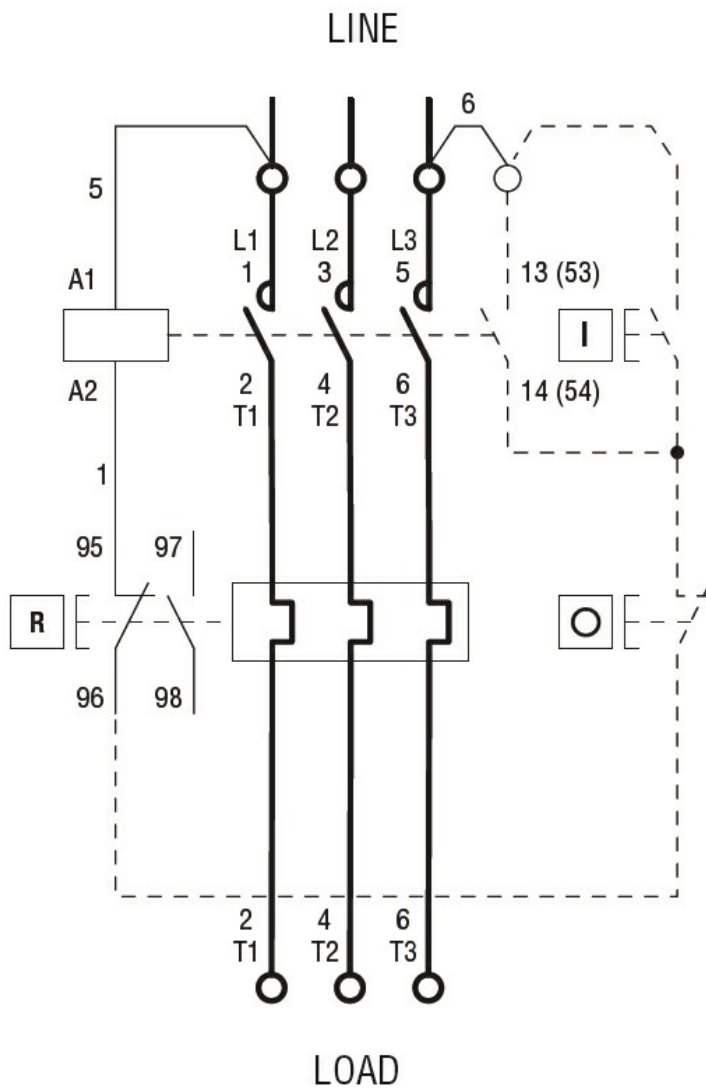
Resistance & Protection

IEC degree of protection	IP65
--------------------------	------

Dimensions



Wiring diagrams



R = Reset; I = Start; O = Stop

Certifications and compliance

Compliance

IEC/EN 60947-1
IEC/EN 60947-4-1
UL508 CSA C22.2 n° 14

Certificates

CSAus
cULus
EAC

ETIM classification

ETIM 8.0

EC001037 -
Motor
starter/Motor
starter
combination