



Electrical features

Relay adj range	A	0.6-1	
IEC technical characteristics ($\leq 440V$)	le kW	A kW	1 0.18...0.25

Components

Starter enclosure standard supplied	M0RA
Contactor standard supplied	BG0910A
Thermal relay standard supplied	RF91

UL technical data

UL degree of protection	Type 1, 12K, 4, 4X
-------------------------	--------------------

Mechanical features

Weight	g	720
--------	---	-----

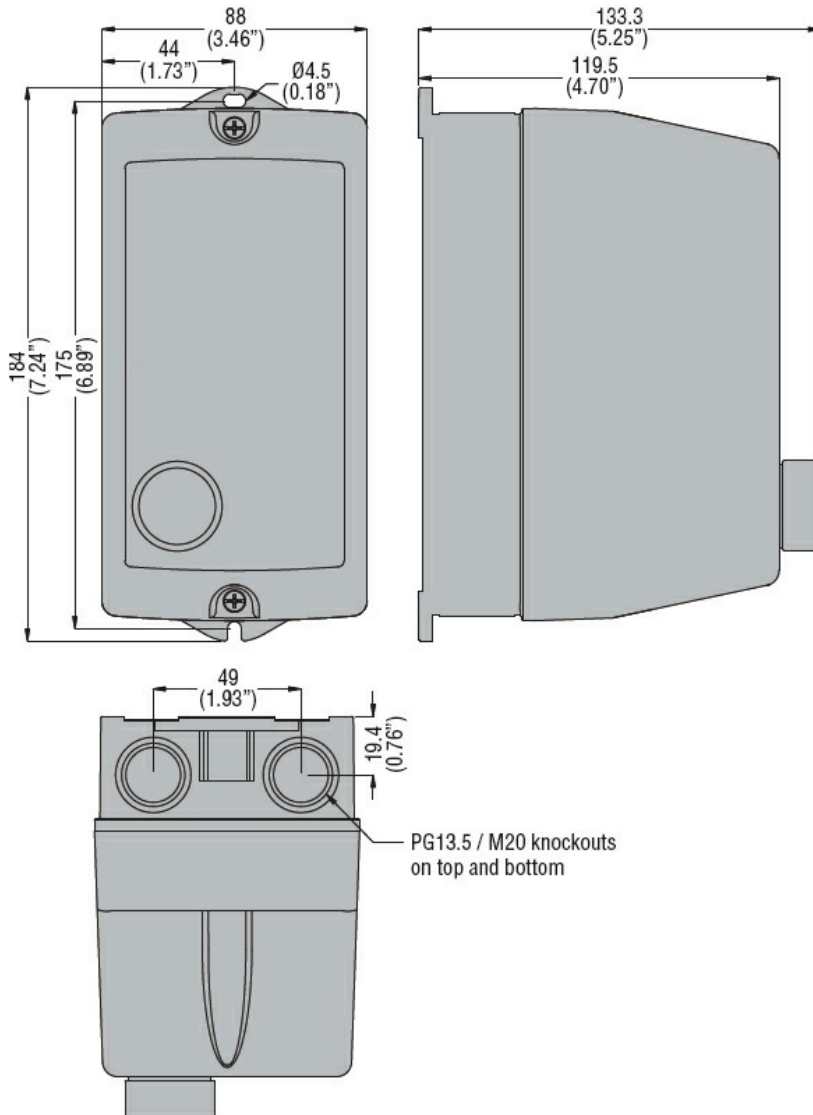
Ambient conditions

Operating temperature	min	°C	-25
	max	°C	+60
Storage temperature	min	°C	-40
	max	°C	+70

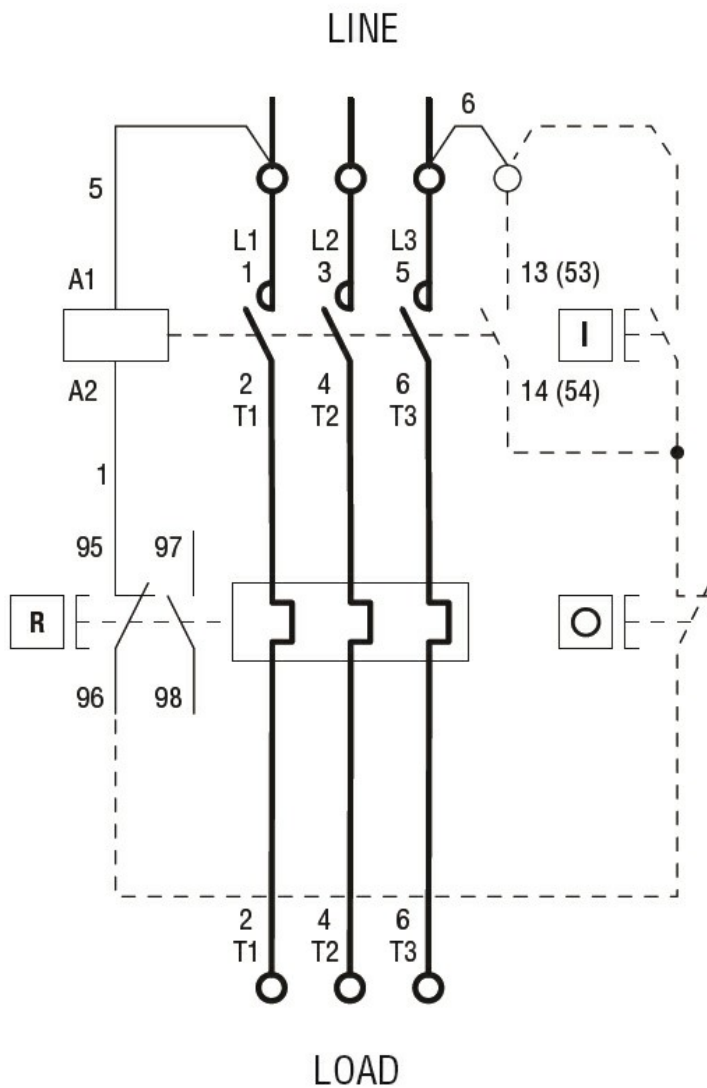
Resistance & Protection

IEC degree of protection	IP65
--------------------------	------

Dimensions



Wiring diagrams



R = Reset; I = Start; O = Stop

Certifications and compliance

Compliance

IEC/EN 60947-1
IEC/EN 60947-4-1
UL508 CSA C22.2 n° 14

Certificates

CSAus
cULus
EAC

ETIM classification

ETIM 8.0

EC001037 -
Motor
starter/Motor
starter
combination