



### Electrical features

Relay adj range	A	0.9-1.5
IEC technical characteristics ( $\leq 440V$ )		
	le	A 1.5
	kW	kW 0.37

### Components

Starter enclosure standard supplied	M0RA
Contactor standard supplied	BG0910A
Thermal relay standard supplied	RF91V5

### UL technical data

UL degree of protection	Type 1, 12K, 4, 4X
-------------------------	--------------------

### Mechanical features

Weight	g	720
--------	---	-----

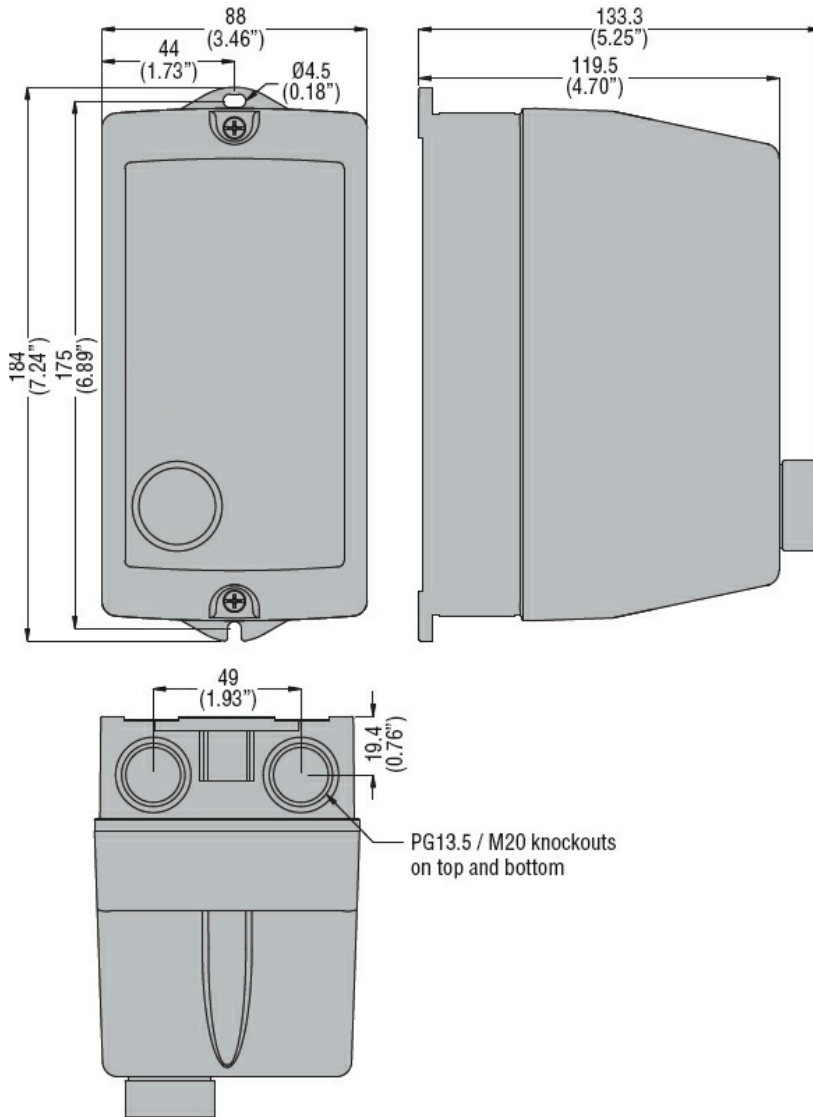
### Ambient conditions

Operating temperature			
	min	°C	-25
	max	°C	+60
Storage temperature			
	min	°C	-40
	max	°C	+70

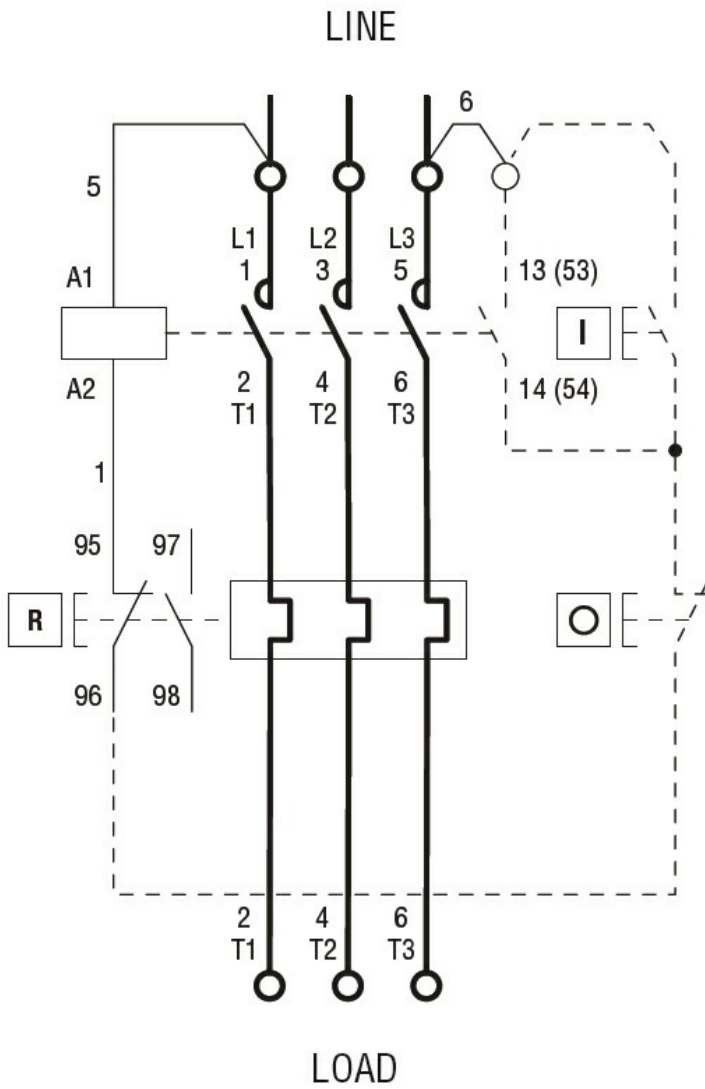
### Resistance & Protection

IEC degree of protection	IP65
--------------------------	------

### Dimensions



Wiring diagrams



R = Reset; I = Start; O = Stop

### Certifications and compliance

#### Compliance

IEC/EN 60947-1  
IEC/EN 60947-4-1  
UL508 CSA C22.2 n° 14

#### Certificates

CSAus  
cULus  
EAC

### ETIM classification

ETIM 8.0

EC001037 -  
Motor  
starter/Motor  
starter  
combination