



Electrical features

Relay adj range	A	1.4-2.3
IEC technical characteristics ($\leq 440V$)		
	le	A
	kW	kW
		2.3
		0.55...0.75

Components

Starter enclosure standard supplied	M0RA
Contactor standard supplied	BG0910A
Thermal relay standard supplied	RF92V3

UL technical data

UL degree of protection	Type 1, 12K, 4, 4X
-------------------------	--------------------

Mechanical features

Weight	g	720
--------	---	-----

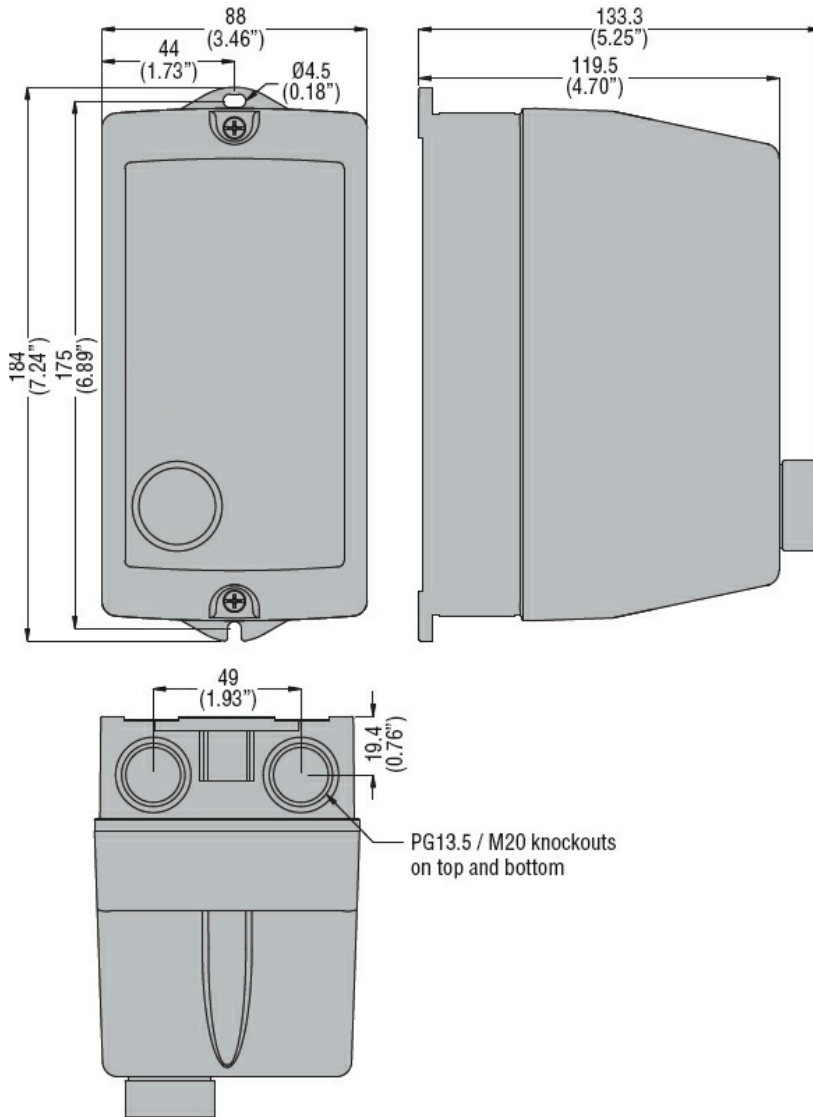
Ambient conditions

Operating temperature	min	°C	-25
	max	°C	+60
Storage temperature	min	°C	-40
	max	°C	+70

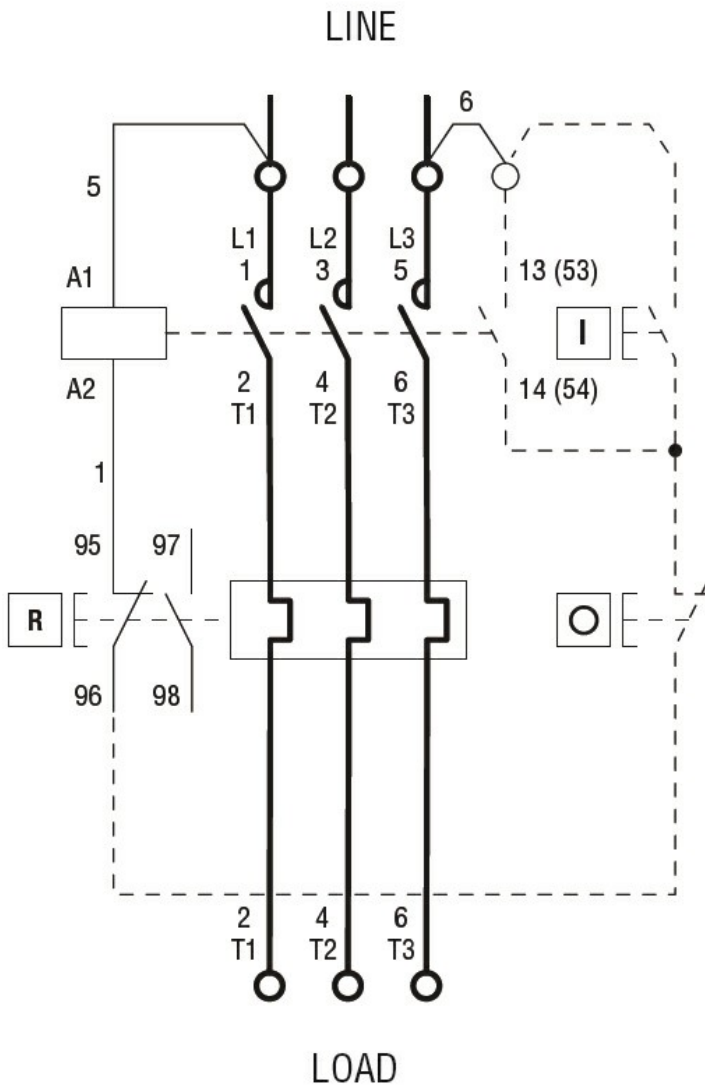
Resistance & Protection

IEC degree of protection	IP65
--------------------------	------

Dimensions



Wiring diagrams



R = Reset; I = Start; O = Stop

Certifications and compliance

Compliance

IEC/EN 60947-1
IEC/EN 60947-4-1
UL508 CSA C22.2 n° 14

Certificates

CSAus
cULus
EAC

ETIM classification

ETIM 8.0

EC001037 -
Motor
starter/Motor
starter
combination