



#### Electrical features

|   |          |                        |
|---|----------|------------------------|
| Relay adj range                               | A        | 6-10                   |
| IEC technical characteristics ( $\leq 440V$ ) | le<br>kW | A<br>kW<br>10<br>3...4 |

#### Components

|                                     |         |
|-------------------------------------|---------|
| Starter enclosure standard supplied | M0RA    |
| Contactor standard supplied         | BG0910A |
| Thermal relay standard supplied     | RF910   |

#### UL technical data

|                         |                    |
|-------------------------|--------------------|
| UL degree of protection | Type 1, 12K, 4, 4X |
|-------------------------|--------------------|

#### Mechanical features

|        |   |     |
|--------|---|-----|
| Weight | g | 720 |
|--------|---|-----|

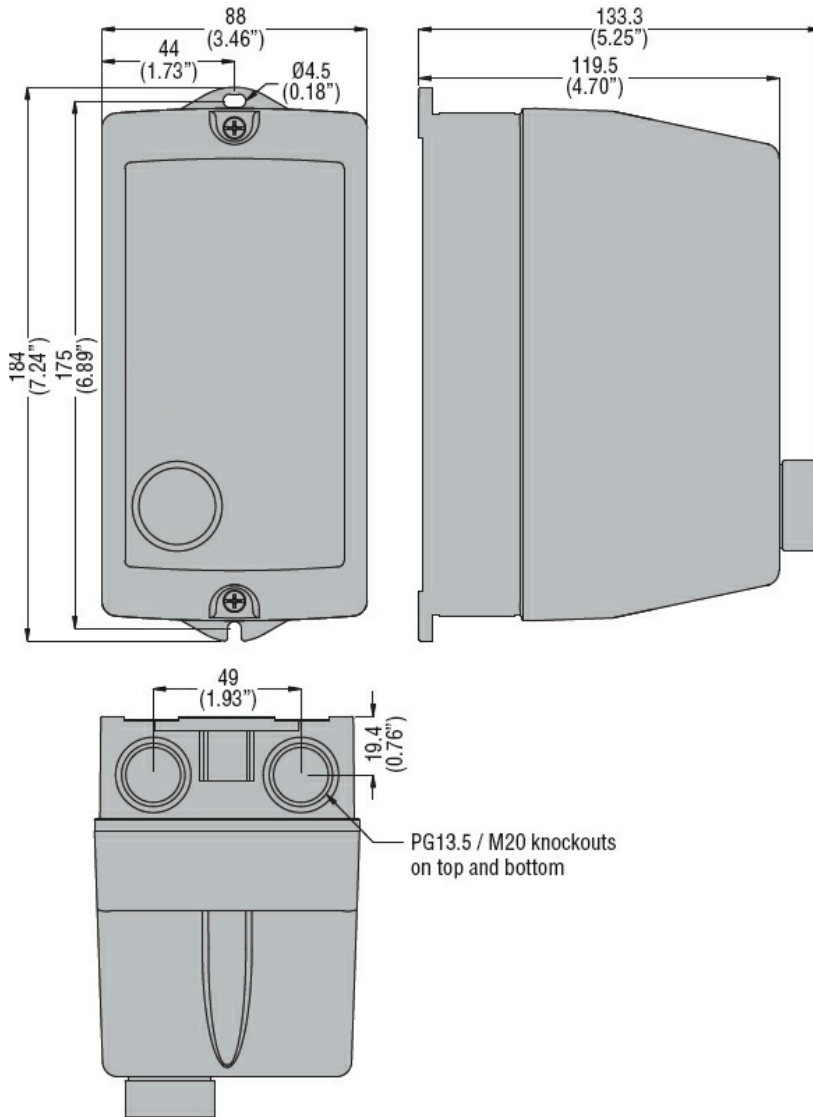
#### Ambient conditions

|                       |     |    |     |
|-----------------------|-----|----|-----|
| Operating temperature | min | °C | -25 |
|                       | max | °C | +60 |
| Storage temperature   | min | °C | -40 |
|                       | max | °C | +70 |

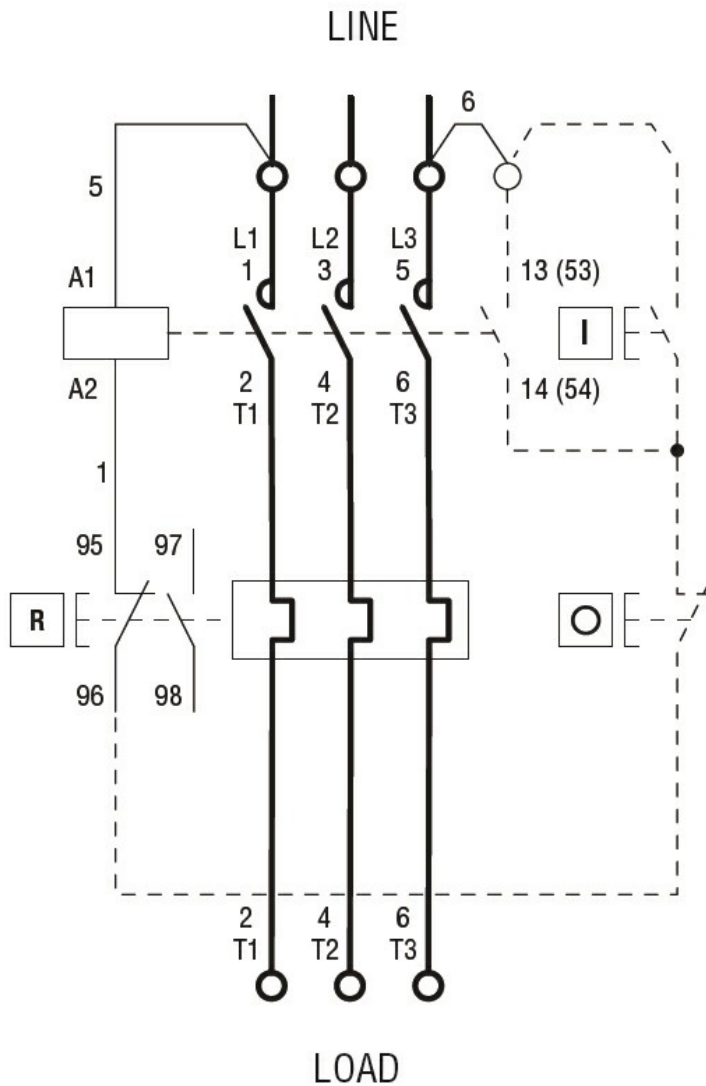
#### Resistance & Protection

|                          |      |
|--------------------------|------|
| IEC degree of protection | IP65 |
|--------------------------|------|

#### Dimensions



Wiring diagrams



R = Reset; I = Start; O = Stop

### Certifications and compliance

#### Compliance

IEC/EN 60947-1  
IEC/EN 60947-4-1  
UL508 CSA C22.2 n° 14

#### Certificates

CSAus  
cULus  
EAC

### ETIM classification

ETIM 8.0

EC001037 -  
Motor  
starter/Motor  
starter  
combination