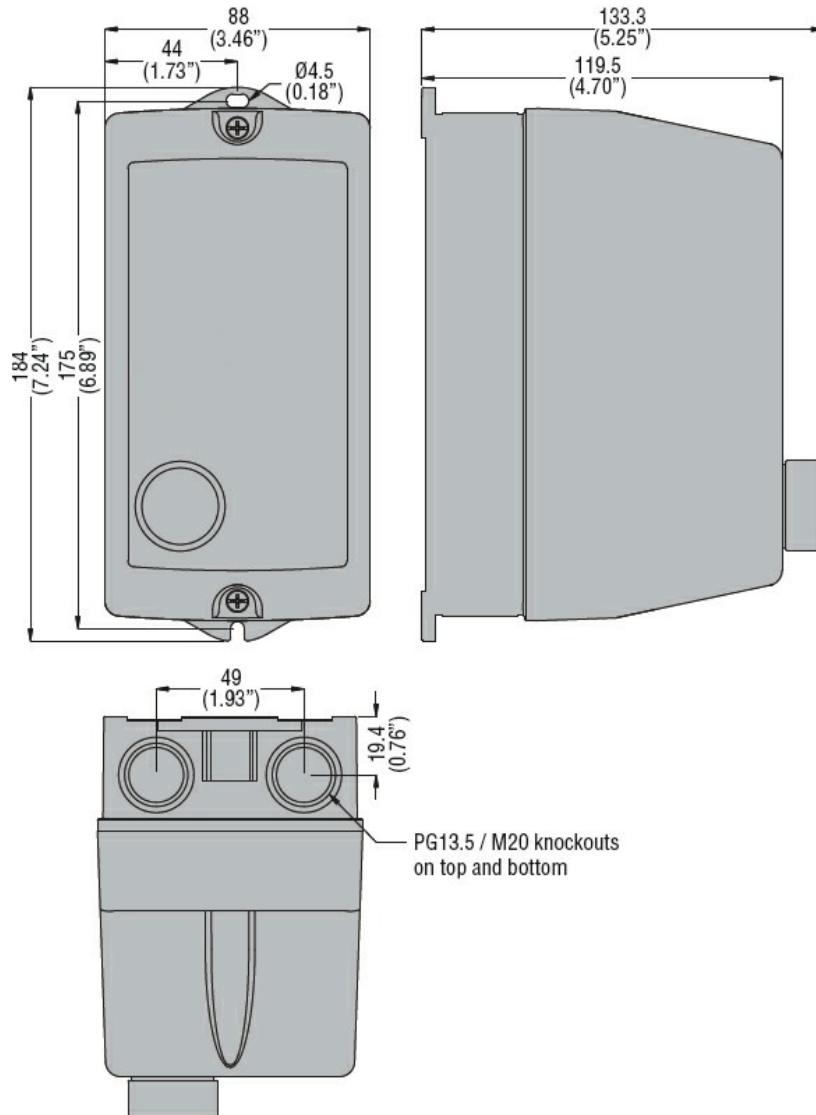
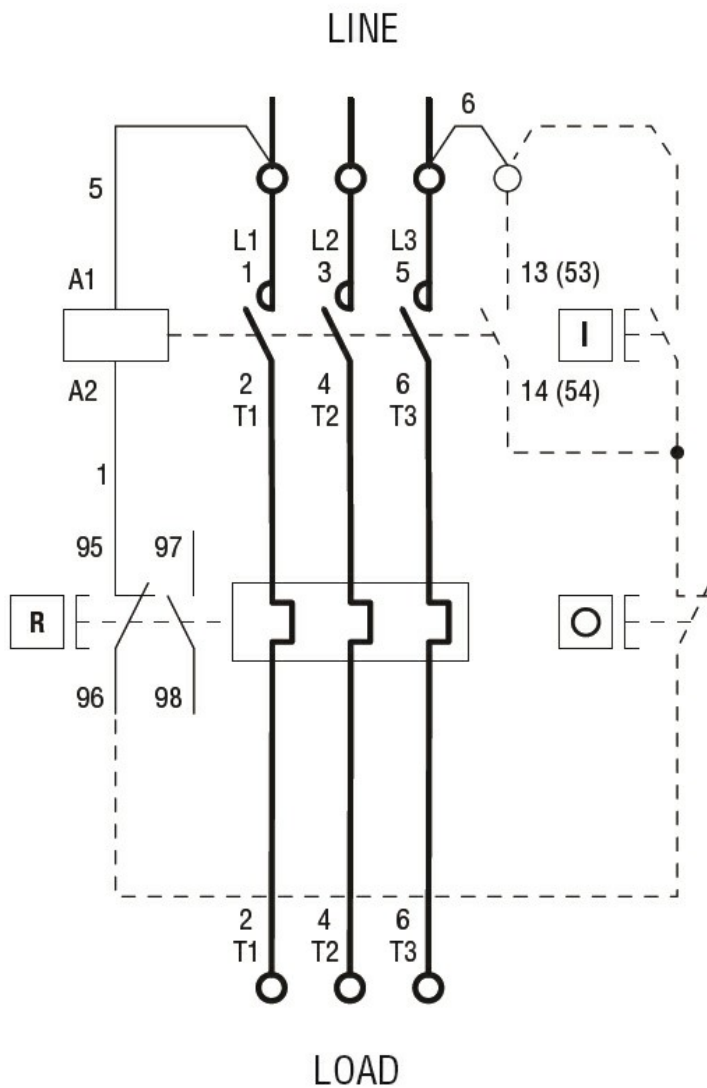




Electrical features			
Maximum operating current ( $\leq 440V$ )	A		12
Components			
Starter enclosure standard supplied			M0RA
Contactor standard supplied			BG1210A
Thermal relay to purchase separately			RF9...
UL technical data			
UL degree of protection			Type 1, 12K, 4, 4X
Mechanical features			
Weight	g		627
Ambient conditions			
Operating temperature	min	°C	-25
	max	°C	+60
Storage temperature	min	°C	-40
	max	°C	+70
Resistance & Protection			
IEC degree of protection			IP65
Dimensions			



Wiring diagrams



R = Reset; I = Start; O = Stop

### Certifications and compliance

#### Compliance

IEC/EN 60947-1  
IEC/EN 60947-4-1  
UL508 CSA C22.2 n° 14

#### Certificates

CSAus  
cULus  
EAC

### ETIM classification

ETIM 8.0

EC001037 -  
Motor  
starter/Motor  
starter  
combination