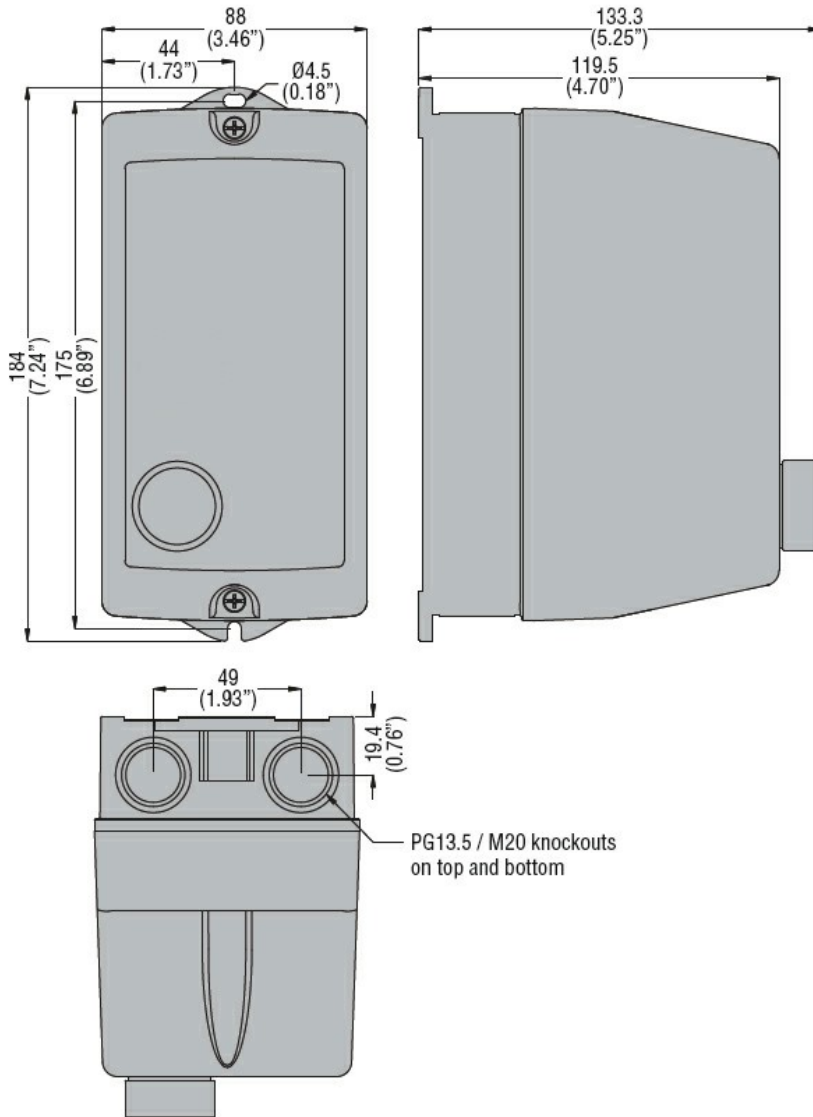
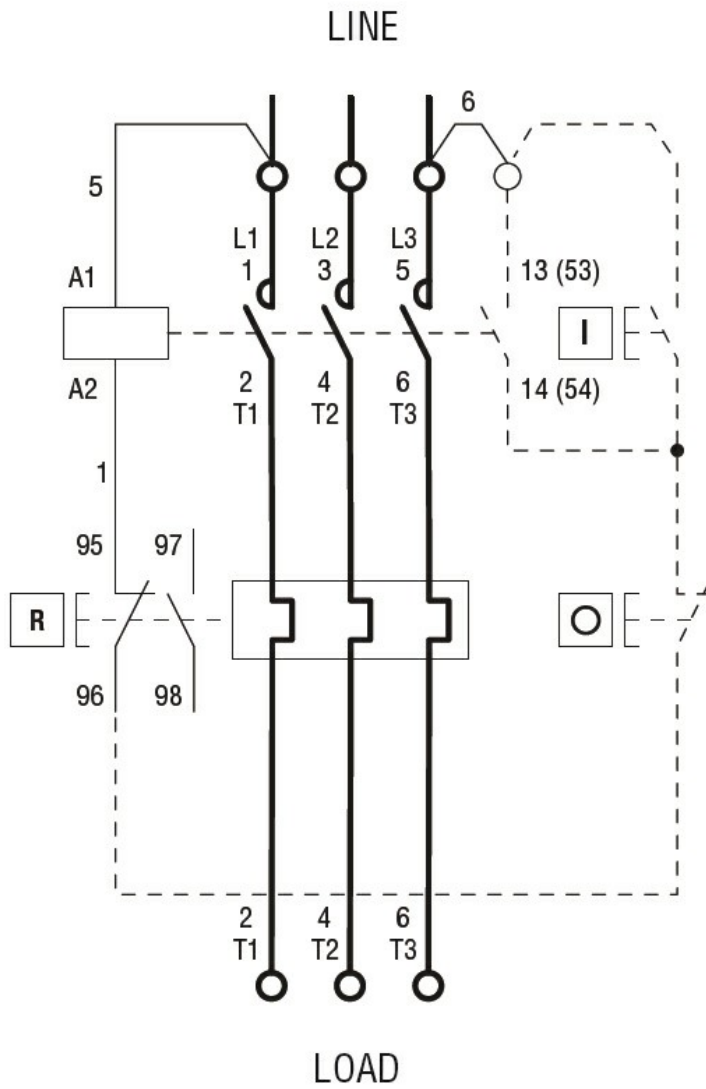




Electrical features			
Maximum operating current ( $\leq 440V$ )	A		12
Components			
Contactor standard supplied			BG06, BG09, BG12
Thermal relay to purchase separately			RF9
UL technical data			
UL degree of protection			Type 1, 12K, 4, 4X
Mechanical features			
Weight	g		445
Ambient conditions			
Operating temperature	min	°C	-25
	max	°C	+60
Storage temperature	min	°C	-40
	max	°C	+70
Resistance & Protection			
IEC degree of protection			IP65
Dimensions			



Wiring diagrams



R = Reset; I = Start; O = Stop

### Certifications and compliance

#### Compliance

CSA C22.2 n° 14  
 IEC/EN 60947-1  
 IEC/EN 60947-4-1  
 UL508

#### Certificates

cULus

### ETIM classification

ETIM 8.0

EC000200 -  
 Enclosure for  
 control circuit  
 devices