



Electrical features

Relay adj range		A	4-6.5
IEC technical characteristics ($\leq 440V$)			
	le	A	6.5
	kW	kW	2.2...3

Components

Starter enclosure standard supplied	M1PA
Contactor standard supplied	BF0910A
Thermal relay standard supplied	RF380650

UL technical data

Maximum UL/CSA horsepower ratings single-phase			
	110V-120V	HP	0.25
	220V-240V	HP	0.5
Maximum UL/CSA horsepower ratings three-phase, 3-pole			
	200V-208V	HP	1
	220V-240V	HP	1.5
	440V-480V	HP	3
	550V-600V	HP	5
UL degree of protection			Type 1, 12K, 4, 4X

Mechanical features

Weight	g	1040
--------	---	------

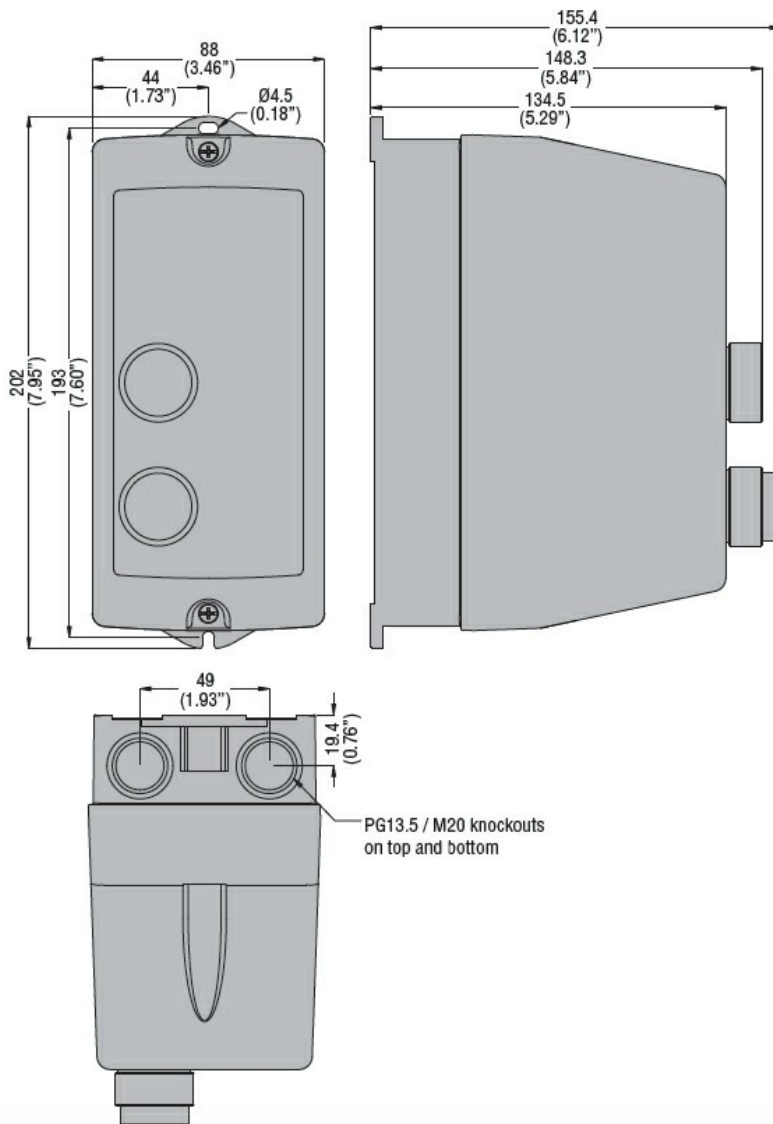
Ambient conditions

Operating temperature			
	min	°C	-25
	max	°C	+60
Storage temperature			
	min	°C	-40
	max	°C	+70

Resistance & Protection

IEC degree of protection	IP65
--------------------------	------

Dimensions



Wiring diagrams



I = Start; O = Stop/Reset

Certifications and compliance

Compliance

IEC/EN 60947-1
IEC/EN 60947-4-1
UL508 CSA C22.2 n° 14

Certificates

CSAus
cULus
EAC

ETIM classification

ETIM 8.0

EC001037 -
Motor
starter/Motor
starter
combination