



Electrical features

Relay adj range	A	4-6.5
-----------------	---	-------

IEC technical characteristics ($\leq 440V$)

le	A	6.5
kW	kW	2.2...3

Components

Starter enclosure standard supplied	M1PA
Contactor standard supplied	BF0910A
Thermal relay standard supplied	RF380650

UL technical data

Maximum UL/CSA horsepower ratings single-phase

110V-120V	HP	0.25
220V-240V	HP	0.5

Maximum UL/CSA horsepower ratings three-phase, 3-pole

200V-208V	HP	1
220V-240V	HP	1.5
440V-480V	HP	3
550V-600V	HP	5

UL degree of protection

Type 1, 12K, 4, 4X

Mechanical features

Weight

g 1040

Ambient conditions

Operating temperature

min	°C	-25
max	°C	+60

Storage temperature

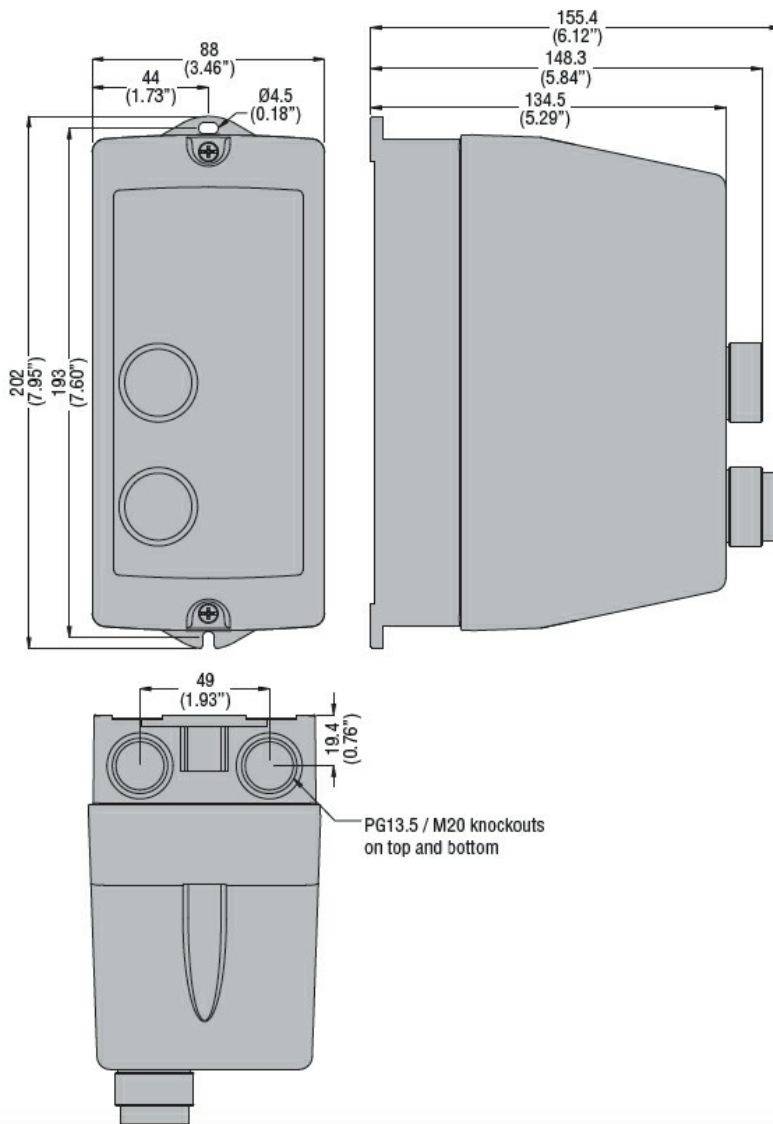
min	°C	-40
max	°C	+70

Resistance & Protection

IEC degree of protection

IP65

Dimensions



Wiring diagrams



I = Start; O = Stop/Reset

Certifications and compliance

Compliance

IEC/EN 60947-1
IEC/EN 60947-4-1
UL508 CSA C22.2 n° 14

Certificates

CSAus
cULus
EAC

ETIM classification

ETIM 8.0

EC001037 -
Motor
starter/Motor
starter
combination