

DIRECT-ON-LINE-STARTER, 1...1.6A (0.37...0.55KW AT 400V), IP65, CONTACTOR COIL VOLTAGE 230VAC 50/60HZ, NON-METALLIC ENCLOSURE, WITH THERMAL OVERLOAD RELAY, WITH START AND STOP/RESET BUTTONS



Electrical features

Relay adj range	A	1-1.6
IEC technical characteristics ($\leq 440V$)		
	le	A
	kW	kW
		1.6
		0.37...0.55

Components

Starter enclosure standard supplied	M1PA
Contactor standard supplied	BF0910A
Thermal relay standard supplied	RF380160

UL technical data

Maximum UL/CSA horsepower ratings three-phase, 3-pole			
	440V-480V	HP	0.5
	550V-600V	HP	0.75
UL degree of protection			Type 1, 12K, 4, 4X

Mechanical features

Weight	g	1040
--------	---	------

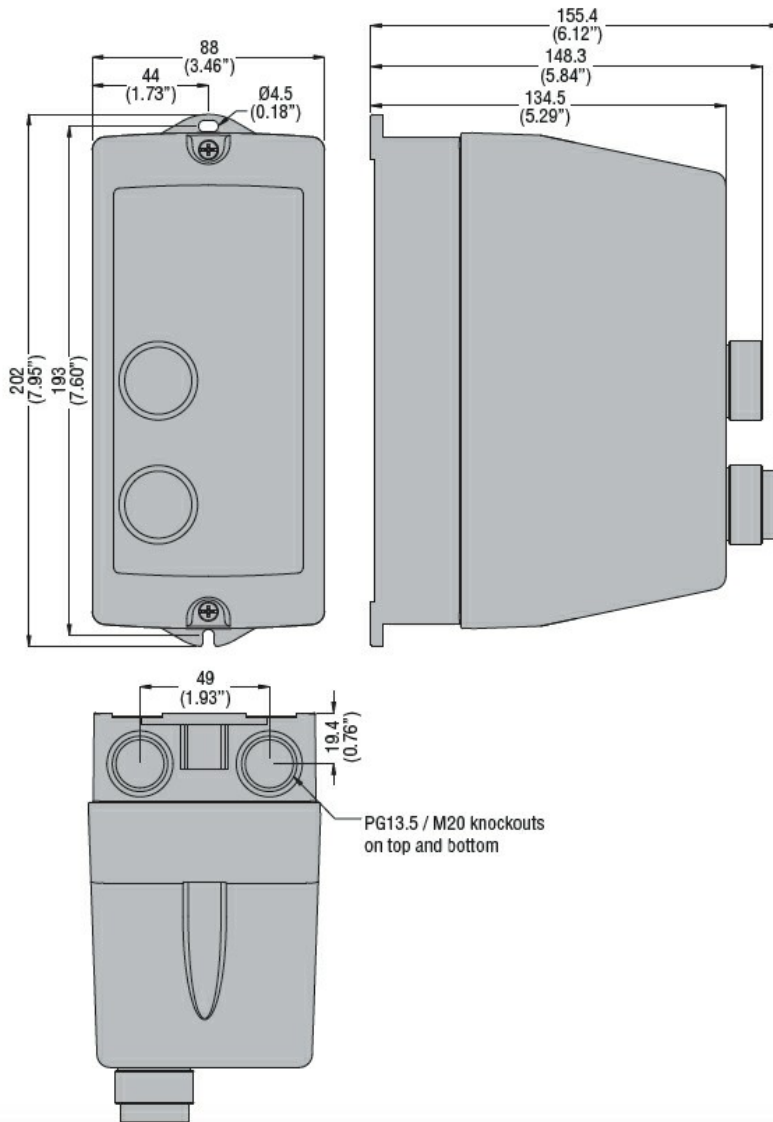
Ambient conditions

Operating temperature			
	min	°C	-25
	max	°C	+60
Storage temperature			
	min	°C	-40
	max	°C	+70

Resistance & Protection

IEC degree of protection	IP65
--------------------------	------

Dimensions



Wiring diagrams



I = Start; O = Stop/Reset

Certifications and compliance

Compliance

IEC/EN 60947-1
IEC/EN 60947-4-1
UL508 CSA C22.2 n° 14

Certificates

CSAus
cULus
EAC

ETIM classification

ETIM 8.0

EC001037 -
Motor
starter/Motor
starter
combination