



Electrical features

Relay adj range	A	1.6-2.5
-----------------	---	---------

IEC technical characteristics ($\leq 440V$)

le	A	2.5
kW	kW	0.75

Components

Starter enclosure standard supplied	M1PA
-------------------------------------	------

Contactora standard supplied	BF0910A
------------------------------	---------

Thermal relay standard supplied	RF380250
---------------------------------	----------

UL technical data

Maximum UL/CSA horsepower ratings three-phase, 3-pole

200V-208V	HP	0.5
220V-240V	HP	0.5
440V-480V	HP	1
550V-600V	HP	1.5

UL degree of protection	Type 1, 12K, 4, 4X
-------------------------	--------------------

Mechanical features

Weight	g	1040
--------	---	------

Ambient conditions

Operating temperature

min	°C	-25
max	°C	+60

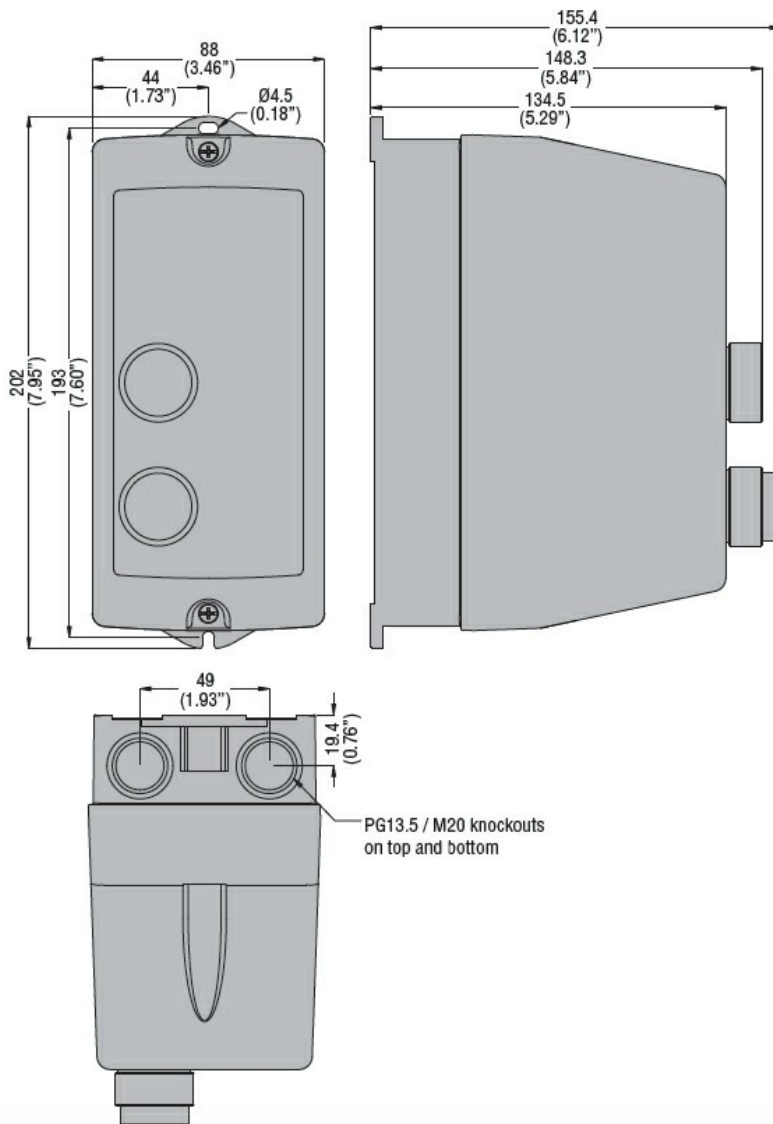
Storage temperature

min	°C	-40
max	°C	+70

Resistance & Protection

IEC degree of protection	IP65
--------------------------	------

Dimensions



Wiring diagrams

