



### Electrical features

Relay adj range	A	6.3-10
-----------------	---	--------

IEC technical characteristics ( $\leq 440V$ )

le	A	10
kW	kW	3...4

### Components

Starter enclosure standard supplied	M1PA
Contactor standard supplied	BF0910A
Thermal relay standard supplied	RF381000

### UL technical data

Maximum UL/CSA horsepower ratings single-phase

110V-120V	HP	0.5
220V-240V	HP	1.5

Maximum UL/CSA horsepower ratings three-phase, 3-pole

200V-208V	HP	2
220V-240V	HP	3
440V-480V	HP	5
550V-600V	HP	7.5

UL degree of protection

Type 1, 12K, 4, 4X

### Mechanical features

Weight

g 1040

### Ambient conditions

Operating temperature

min	°C	-25
max	°C	+60

Storage temperature

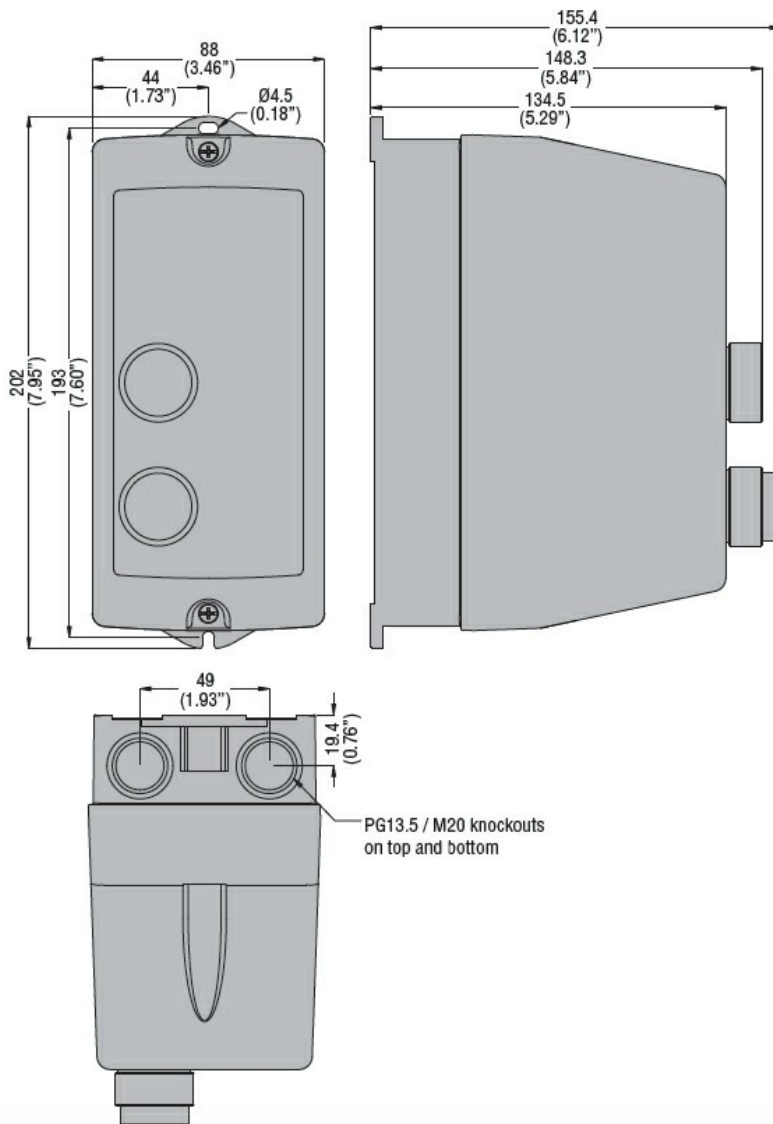
min	°C	-40
max	°C	+70

### Resistance & Protection

IEC degree of protection

IP65

### Dimensions



Wiring diagrams



I = Start; O = Stop/Reset

#### Certifications and compliance

##### Compliance

IEC/EN 60947-1  
IEC/EN 60947-4-1  
UL508 CSA C22.2 n° 14

##### Certificates

CSAus  
cULus  
EAC

#### ETIM classification

ETIM 8.0

EC001037 -  
Motor  
starter/Motor  
starter  
combination