



### Electrical features

Relay adj range	A	13-18
IEC technical characteristics ( $\leq 440V$ )		
	le	A
	kW	kW
		18
		7.5

### Components

Starter enclosure standard supplied	M1PA
Contactor standard supplied	BF1810A
Thermal relay standard supplied	RF381800

### UL technical data

Maximum UL/CSA horsepower ratings single-phase			
	110V-120V	HP	1
	220V-240V	HP	3
Maximum UL/CSA horsepower ratings three-phase, 3-pole			
	200V-208V	HP	5
	220V-240V	HP	5
	440V-480V	HP	10
	550V-600V	HP	15
UL degree of protection			Type 1, 12K, 4, 4X

### Mechanical features

Weight	g	1040
--------	---	------

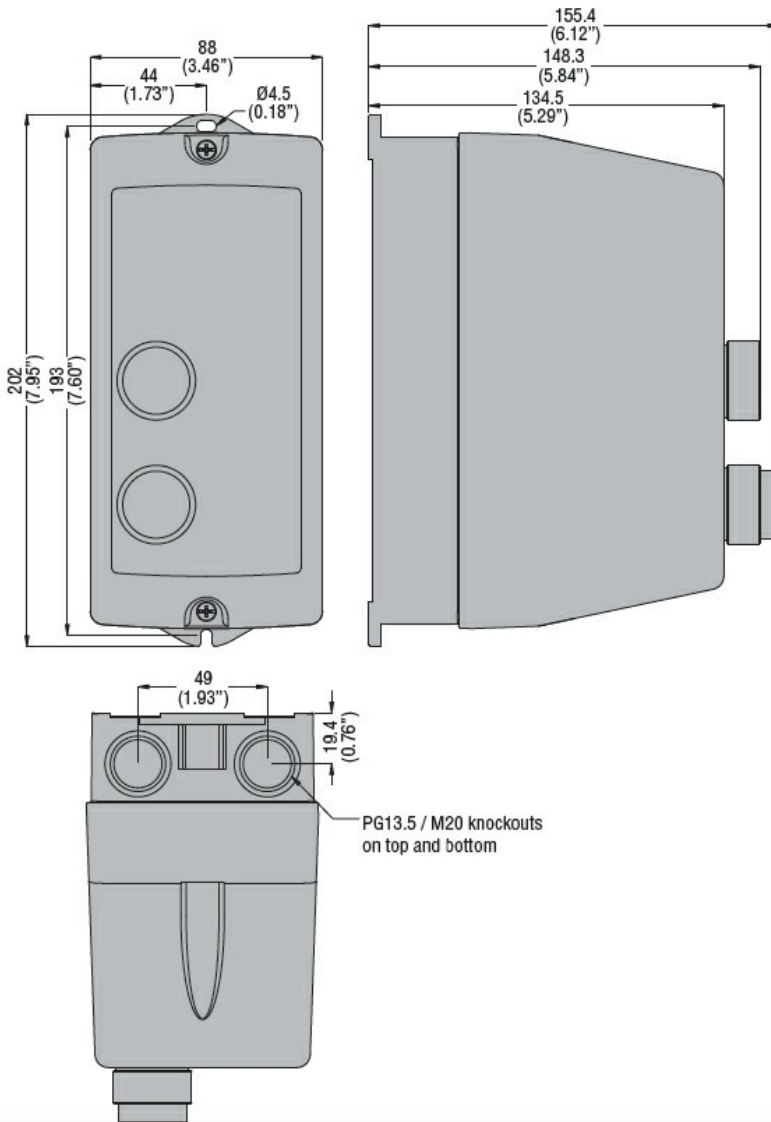
### Ambient conditions

Operating temperature			
	min	°C	-25
	max	°C	+60
Storage temperature			
	min	°C	-40
	max	°C	+70

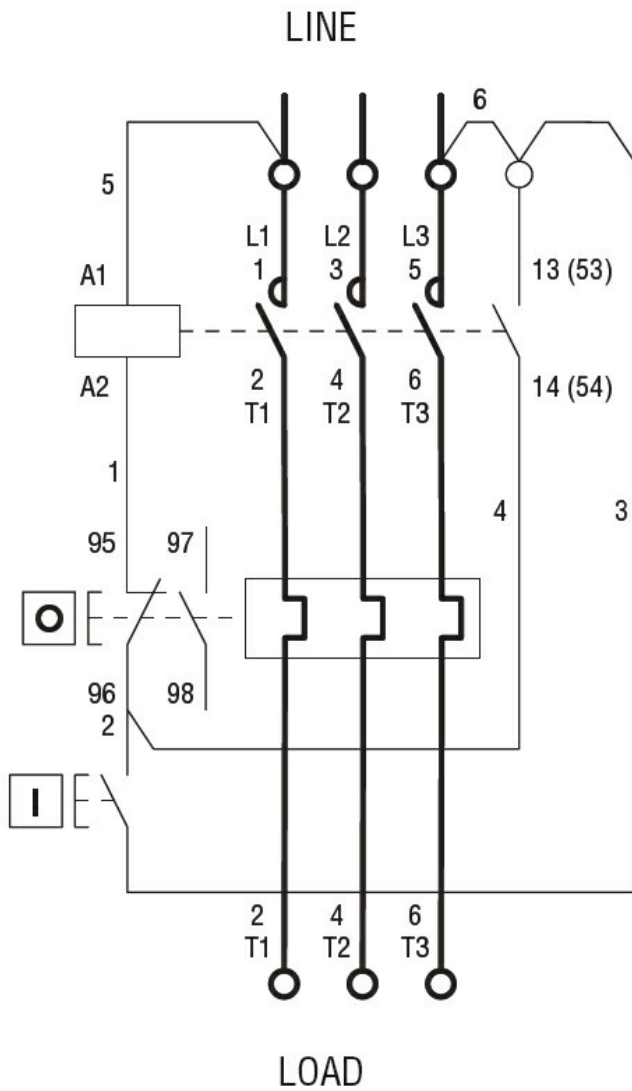
### Resistance & Protection

IEC degree of protection	IP65
--------------------------	------

### Dimensions



Wiring diagrams



I = Start; O = Stop/Reset

**Certifications and compliance**

**Compliance**

IEC/EN 60947-1  
IEC/EN 60947-4-1  
UL508 CSA C22.2 n° 14

**Certificates**

CSAus  
cULus  
EAC

**ETIM classification**

ETIM 8.0

EC001037 -  
Motor  
starter/Motor  
starter  
combination