



UL technical data

UL degree of protection Type 1, 12K, 4,
4X

Mechanical features

Weight g 1450

Ambient conditions

Operating temperature

	min	°C	-25
	max	°C	+60

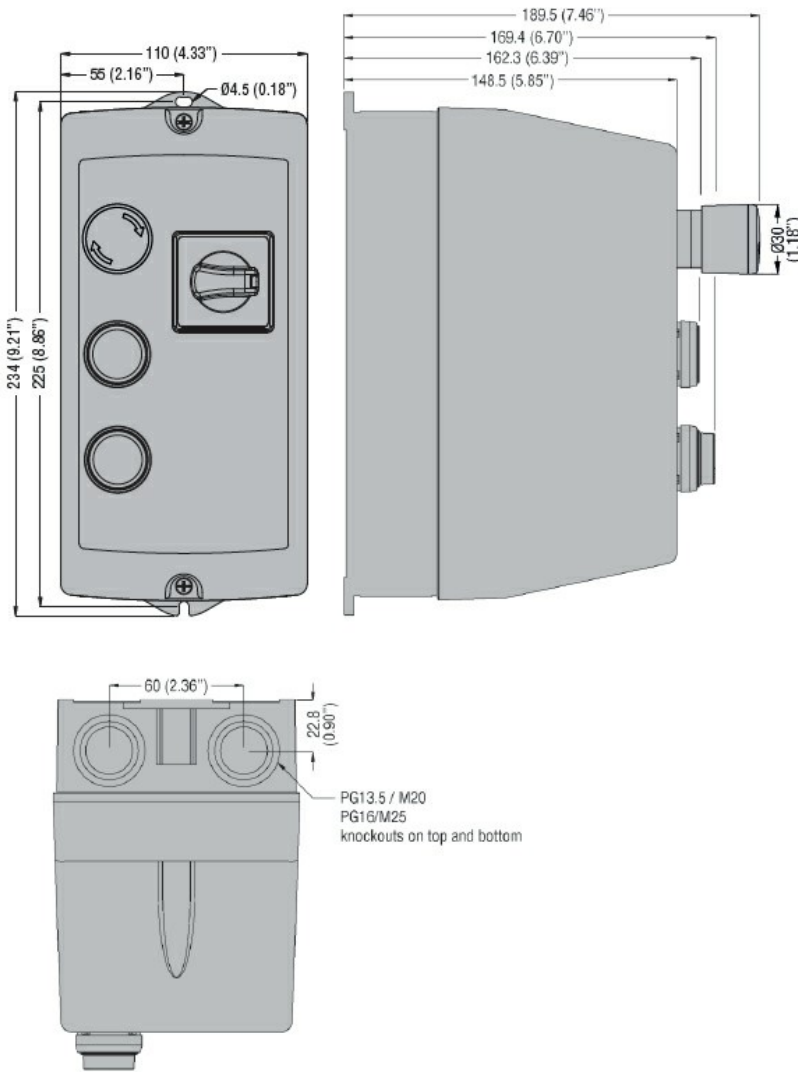
Storage temperature

	min	°C	-40
	max	°C	+70

Resistance & Protection

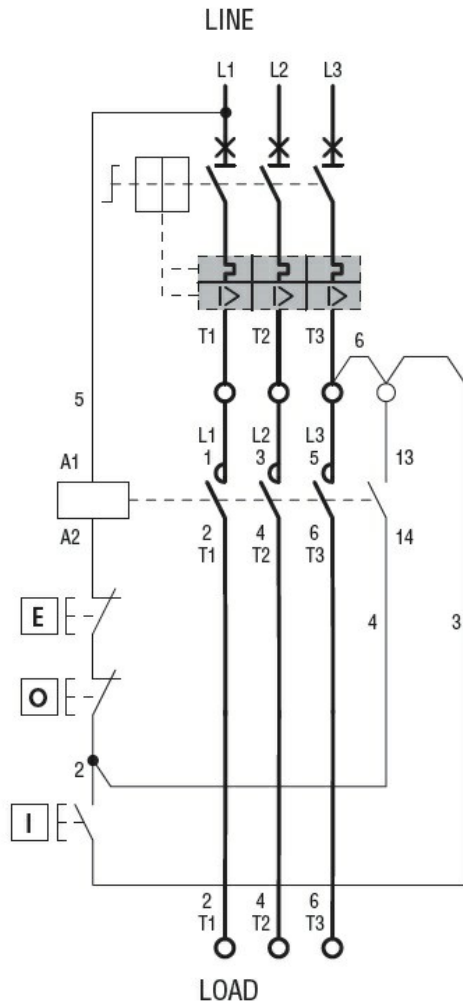
IEC degree of protection IP65

Dimensions



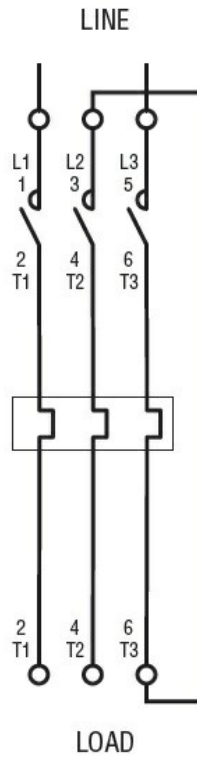
Wiring diagrams

Incorporated button control
and rotary actuator for 3-phase motors



I = Start; O = Stop; E = Emergency Stop

Power
connection for 1-phase
motors



ETIM classification

ETIM 8.0

EC001037 -
Motor
starter/Motor
starter
combination