



Electrical features

Relay adj range	A	9-14
IEC technical characteristics ($\leq 440V$)		
	le	A 14
	kW	kW 5.5

UL technical data

UL degree of protection	Type 1, 12K, 4, 4X
-------------------------	--------------------

Mechanical features

Weight	g	1515
--------	---	------

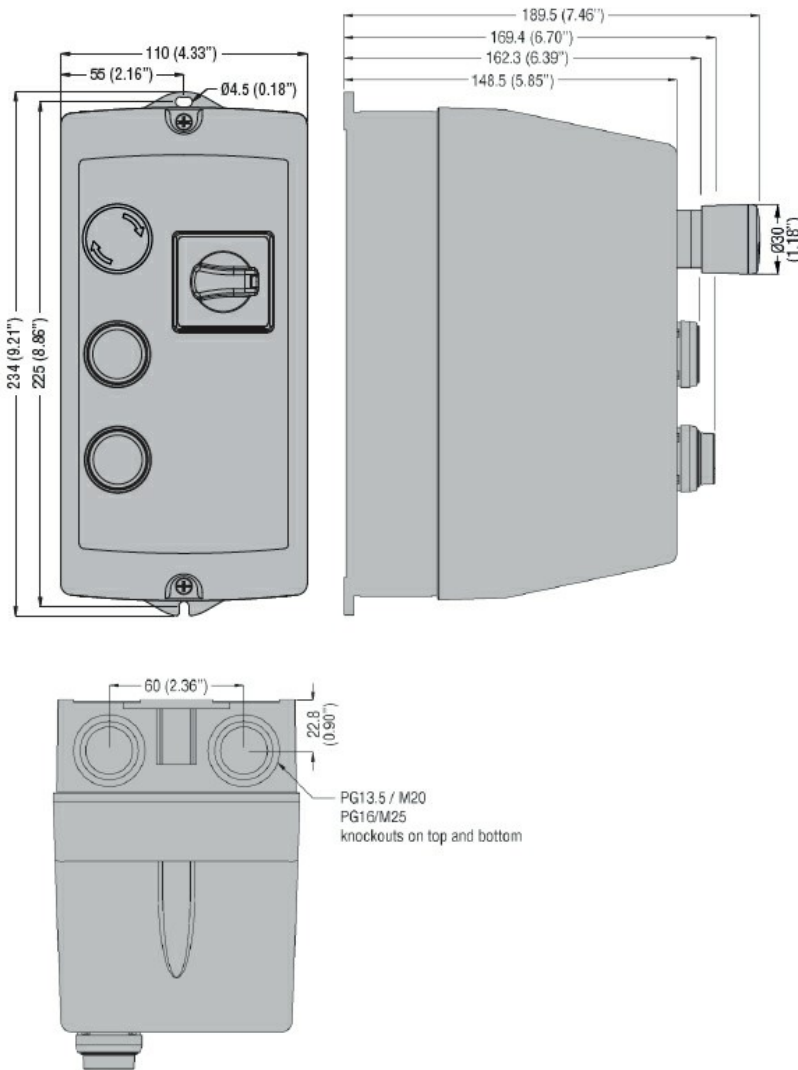
Ambient conditions

Operating temperature		
	min	°C -25
	max	°C +60
Storage temperature		
	min	°C -40
	max	°C +70

Resistance & Protection

IEC degree of protection	IP65
--------------------------	------

Dimensions



Wiring diagrams

Incorporated button control
and rotary actuator for 3-phase motors

Power
connection for 1-phase
motors



I = Start; O = Stop; E = Emergency Stop

Certifications and compliance

Compliance

IEC/EN 60947-1
IEC/EN 60947-4-1

Certificates

EAC

ETIM classification

ETIM 8.0

EC001037 -
Motor
starter/Motor
starter
combination