



Electrical features

| | | |
|---|----|--------------|
| Relay adj range | A | 2.5-4 |
| IEC technical characteristics ($\leq 440V$) | | |
| | le | A 4 |
| | kW | kW 1.1...1.5 |

UL technical data

| | |
|-------------------------|--------------------|
| UL degree of protection | Type 1, 12K, 4, 4X |
|-------------------------|--------------------|

Mechanical features

| | | |
|--------|---|------|
| Weight | g | 1515 |
|--------|---|------|

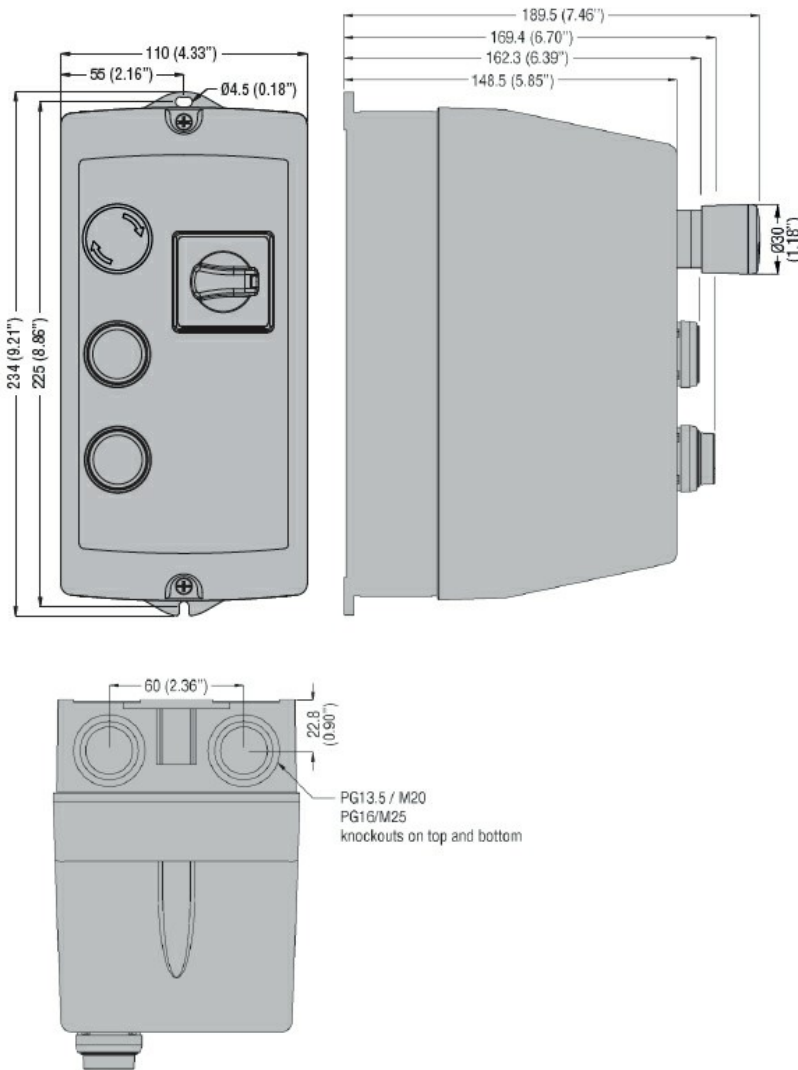
Ambient conditions

| | | |
|-----------------------|-----|--------|
| Operating temperature | | |
| | min | °C -25 |
| | max | °C +60 |
| Storage temperature | | |
| | min | °C -40 |
| | max | °C +70 |

Resistance & Protection

| | |
|--------------------------|------|
| IEC degree of protection | IP65 |
|--------------------------|------|

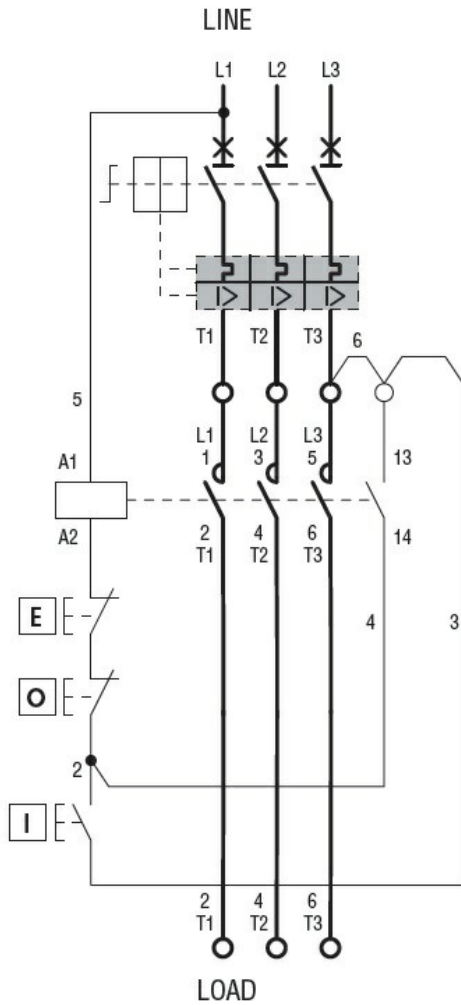
Dimensions



Wiring diagrams

Incorporated button control
and rotary actuator for 3-phase motors

Power
connection for 1-phase
motors



I = Start; O = Stop; E = Emergency Stop

Certifications and compliance

Compliance

IEC/EN 60947-1
IEC/EN 60947-4-1

Certificates

EAC

ETIM classification

ETIM 8.0

EC001037 -
Motor
starter/Motor
starter
combination