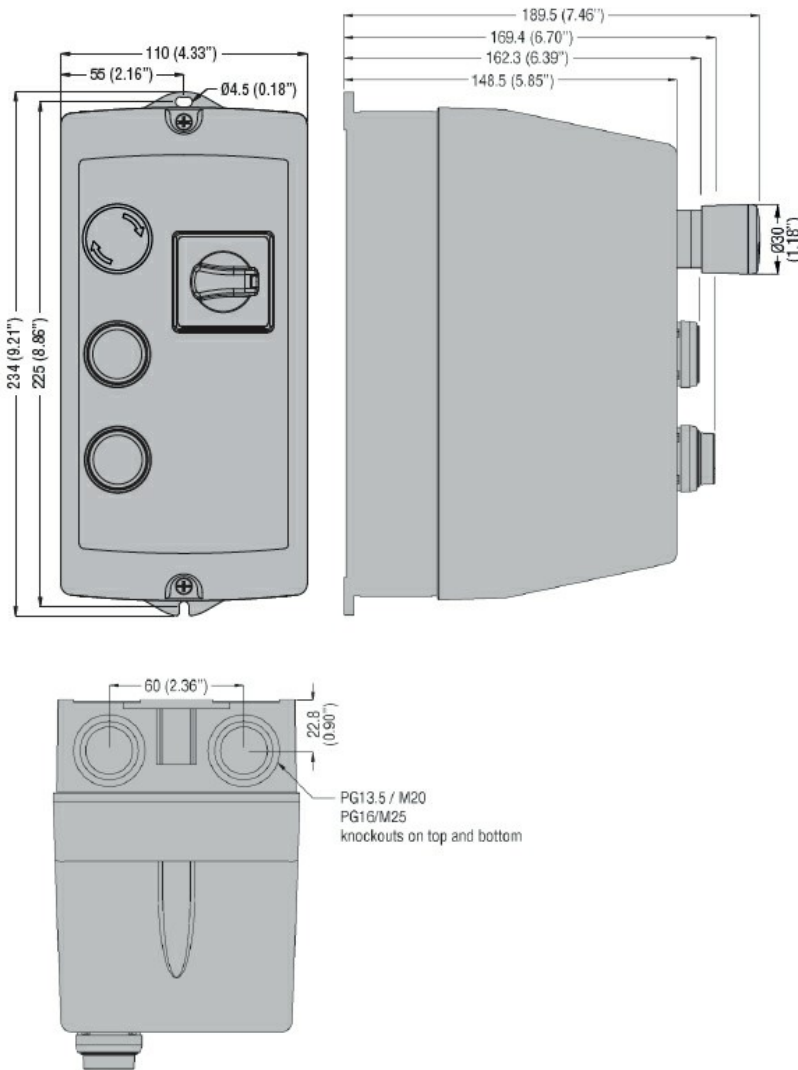


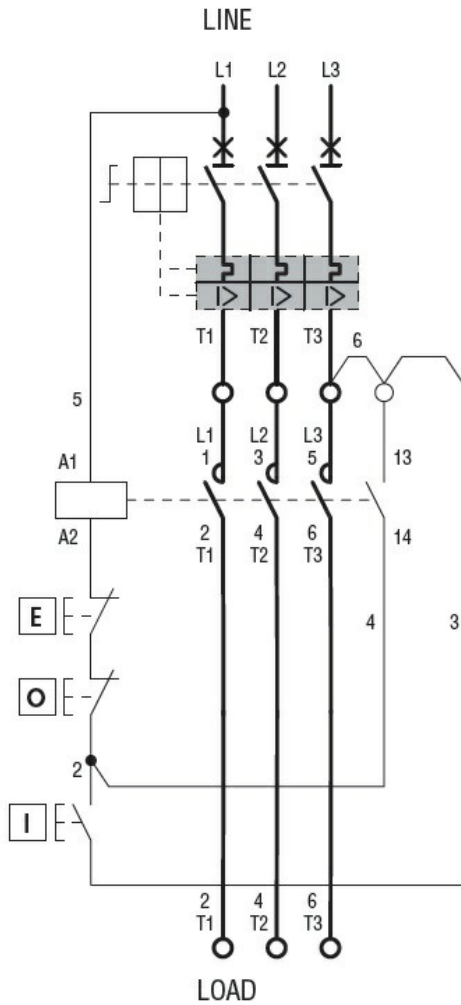


Electrical features			
Relay adj range		A	1-1.6
IEC technical characteristics ($\leq 440V$)			
	le	A	1.6
	kW	kW	0.37...0.55
UL technical data			
UL degree of protection			Type 1, 12K, 4, 4X
Mechanical features			
Weight		g	1450
Ambient conditions			
Operating temperature			
	min	°C	-25
	max	°C	+60
Storage temperature			
	min	°C	-40
	max	°C	+70
Resistance & Protection			
IEC degree of protection			IP65
Dimensions			



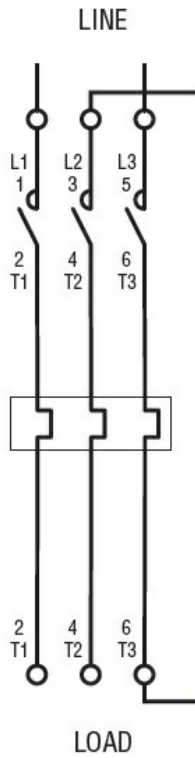
Wiring diagrams

Incorporated button control
and rotary actuator for 3-phase motors



I = Start; O = Stop; E = Emergency Stop

Power
connection for 1-phase
motors



Certifications and compliance

Compliance

IEC/EN 60947-1
IEC/EN 60947-4-1

Certificates

EAC

ETIM classification

ETIM 8.0

EC001037 -
Motor
starter/Motor
starter
combination