



Electrical features

Relay adj range A 0.63-1

IEC technical characteristics ($\leq 440V$)

I _e	A	1
kW	kW	0.25

UL technical data

UL degree of protection Type 1, 12K, 4, 4X

Mechanical features

Weight g 1450

Ambient conditions

Operating temperature

min	°C	-25
max	°C	+60

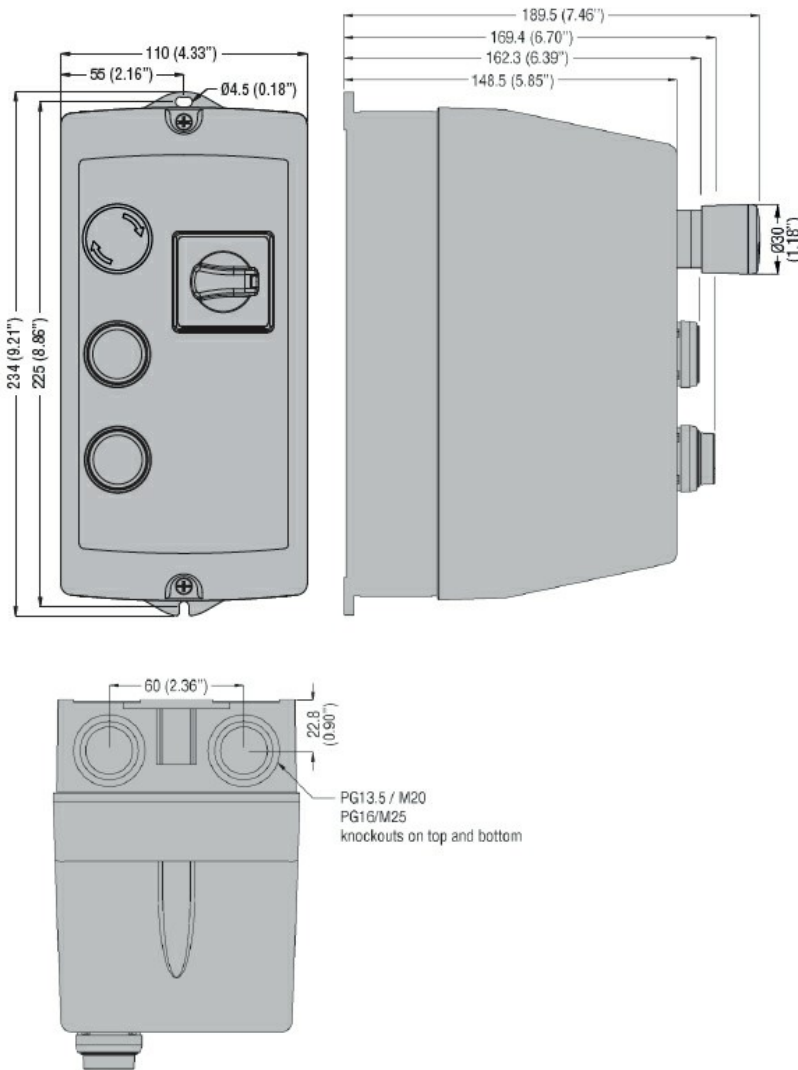
Storage temperature

min	°C	-40
max	°C	+70

Resistance & Protection

IEC degree of protection IP65

Dimensions



Wiring diagrams

Incorporated button control
and rotary actuator for 3-phase motors

Power
connection for 1-phase
motors



I = Start; O = Stop; E = Emergency Stop

Certifications and compliance

Compliance

IEC/EN 60947-1
IEC/EN 60947-4-1

Certificates

EAC

ETIM classification

ETIM 8.0

EC001037 -
Motor
starter/Motor
starter
combination