



Electrical features

Relay adj range	A	1-1.6
-----------------	---	-------

IEC technical characteristics ($\leq 440V$)	le	A	1.6
	kW	kW	0.37...0.55

UL technical data

UL degree of protection	Type 1, 12K, 4, 4X
-------------------------	--------------------

Mechanical features

Weight	g	1450
--------	---	------

Ambient conditions

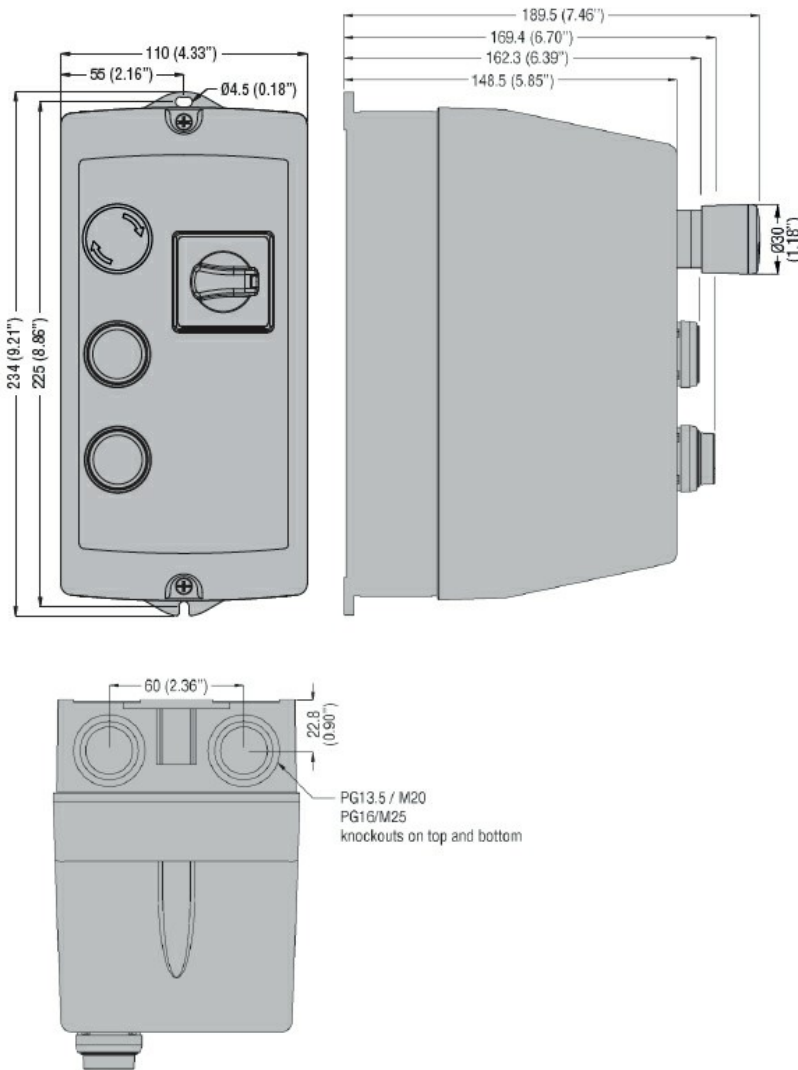
Operating temperature	min	°C	-25
	max	°C	+60

Storage temperature	min	°C	-40
	max	°C	+70

Resistance & Protection

IEC degree of protection	IP65
--------------------------	------

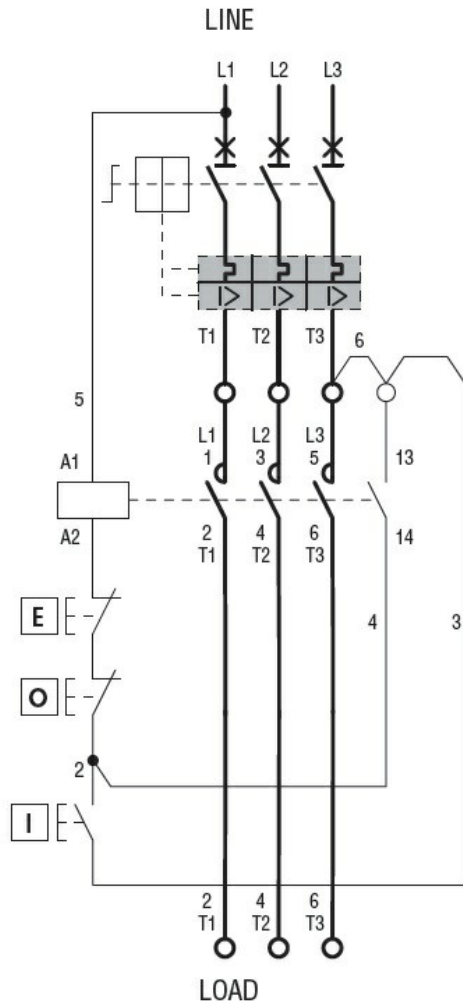
Dimensions



Wiring diagrams

Incorporated button control
and rotary actuator for 3-phase motors

Power
connection for 1-phase
motors



I = Start; O = Stop; E = Emergency Stop

Certifications and compliance

Compliance

IEC/EN 60947-1
IEC/EN 60947-4-1

Certificates

EAC

ETIM classification

ETIM 8.0

EC001037 -
Motor
starter/Motor
starter
combination