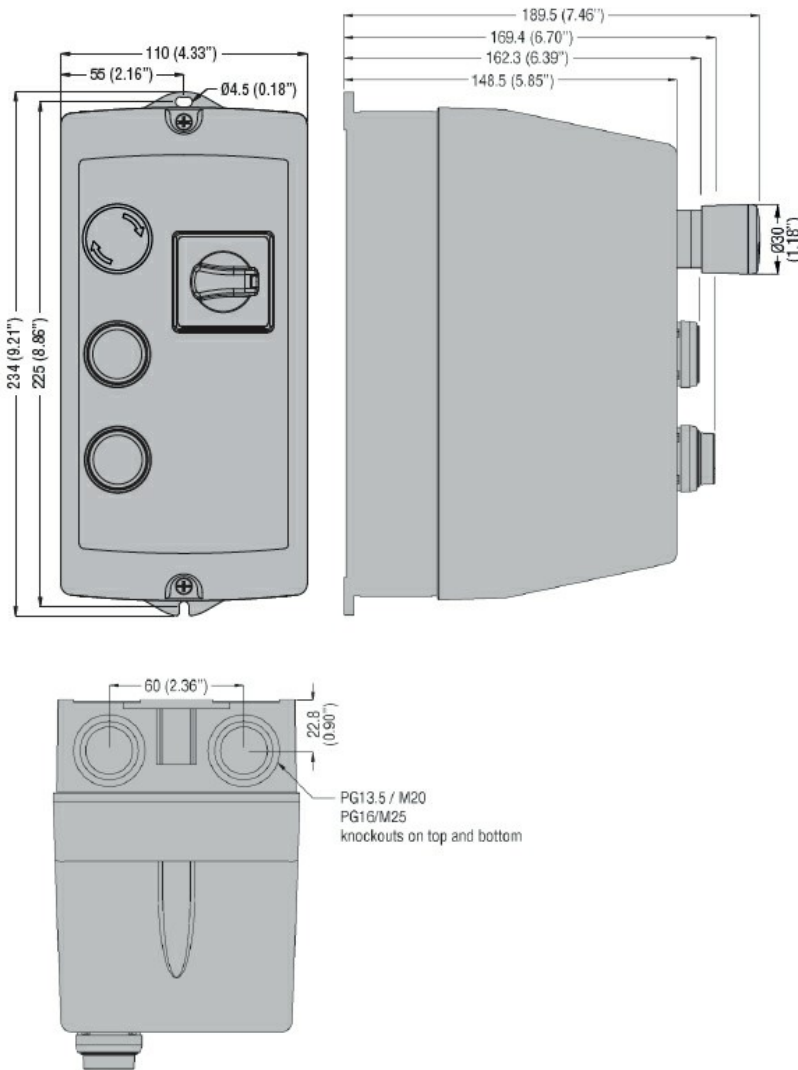




Electrical features			
Relay adj range		A	9-14
IEC technical characteristics ( $\leq 440V$ )			
	le	A	13
	kW	kW	5.5
UL technical data			
UL degree of protection			Type 1, 12K, 4, 4X
Mechanical features			
Weight		g	1515
Ambient conditions			
Operating temperature			
	min	°C	-25
	max	°C	+60
Storage temperature			
	min	°C	-40
	max	°C	+70
Resistance & Protection			
IEC degree of protection			IP65
Dimensions			



Wiring diagrams

Incorporated button control  
and rotary actuator for 3-phase motors

Power  
connection for 1-phase  
motors



I = Start; O = Stop; E = Emergency Stop

**Certifications and compliance**

Compliance

IEC/EN 60947-1  
IEC/EN 60947-4-1

Certificates

EAC

**ETIM classification**

ETIM 8.0

EC001037 -  
Motor  
starter/Motor  
starter  
combination