



**Electrical features**

Relay adj range A 1.6-2.5

IEC technical characteristics ( $\leq 440V$ )

	I <sub>e</sub>	A	2.5
	kW	kW	0.75

**UL technical data**

UL degree of protection Type 1, 12K, 4, 4X

**Mechanical features**

Weight g 1515

**Ambient conditions**

Operating temperature

	min	°C	-25
	max	°C	+60

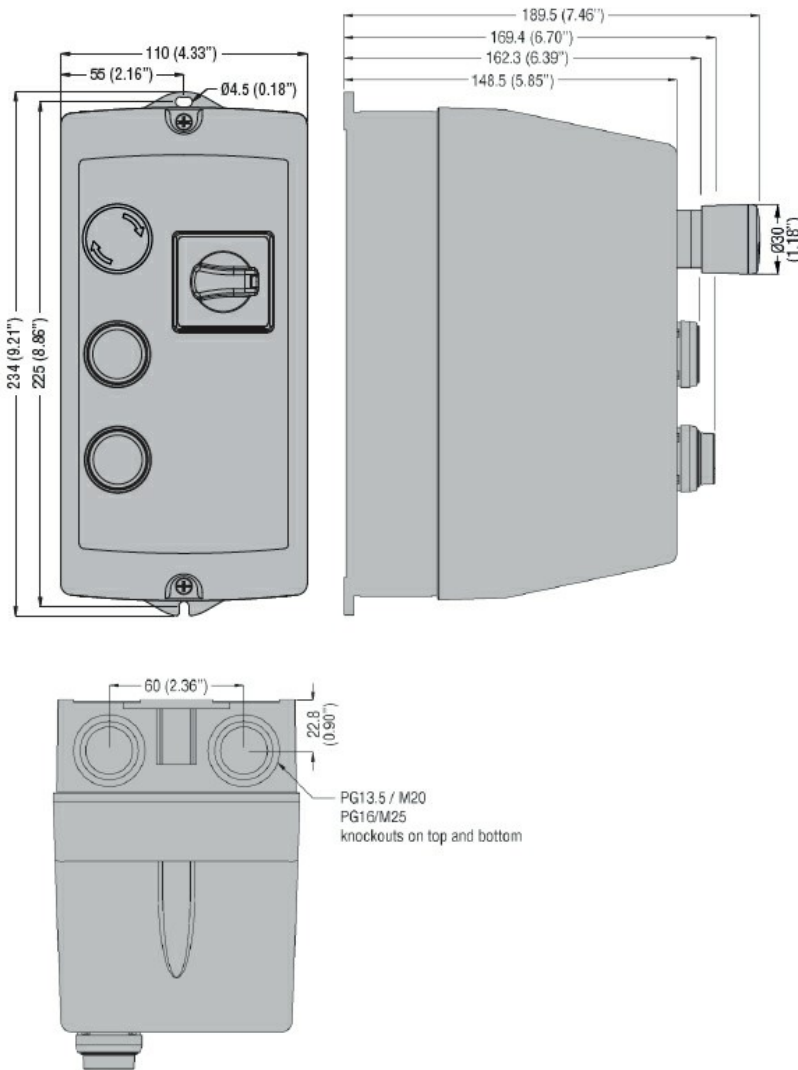
Storage temperature

	min	°C	-40
	max	°C	+70

**Resistance & Protection**

IEC degree of protection IP65

**Dimensions**



Wiring diagrams

Incorporated button control  
and rotary actuator for 3-phase motors

Power  
connection for 1-phase  
motors



I = Start; O = Stop; E = Emergency Stop

**Certifications and compliance**

Compliance

IEC/EN 60947-1  
IEC/EN 60947-4-1

Certificates

EAC

**ETIM classification**

ETIM 8.0

EC001037 -  
Motor  
starter/Motor  
starter  
combination