



**Electrical features**

Maximum operating current ( $\leq 440V$ )	A	16
---	---	----

**Components**

Starter enclosure standard supplied	M3PA70
Contactor standard supplied	BF0910A, BF0901A, BF0910A
Thermal relay to purchase separately	RF38...
Auxiliary contact standard supplied	BFX1020, ..., BFX1011

**Contact characteristics**

IEC standard motor powers	230V	kW	4
	400V	kW	7.5
	440V	kW	7.5
	500V	kW	7.5

**Mechanical features**

Weight	g	3540
--------	---	------

**Ambient conditions**

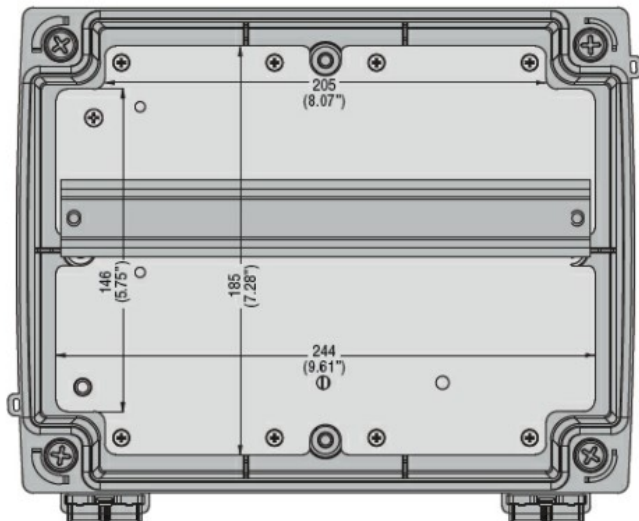
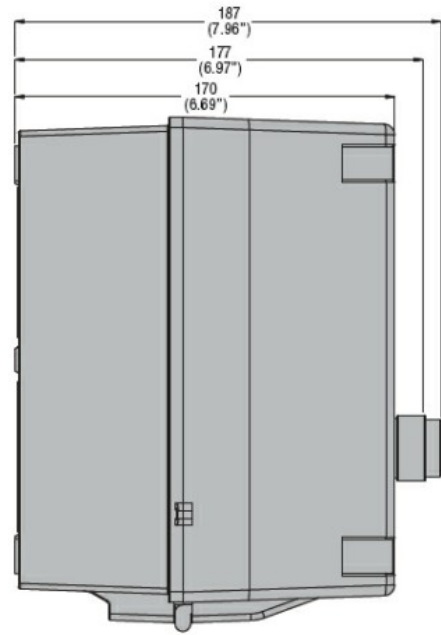
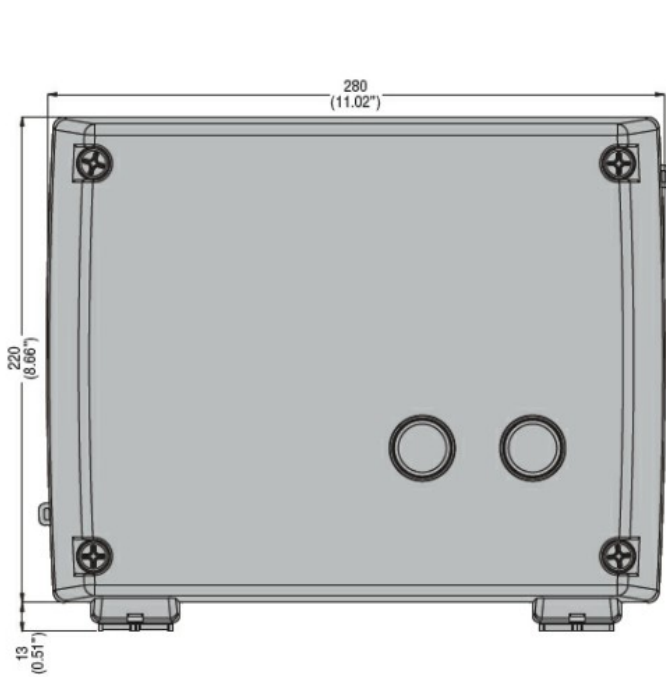
Operating temperature	min	°C	-25
	max	°C	+60
Storage temperature	min	°C	-40
	max	°C	+70

**Resistance & Protection**

Frontal IP degree	IP65
-------------------	------

**Dimensions**

STAR-DELTA STARTER, ENCLOSED STARTER, WITH START AND STOP/RESET BUTTONS.  
STARTING TIME UP TO 12 SECONDS AND A MAXIMUM OF 30 OPERATIONS/HOUR, MAX IEC  
OPERATING CURRENT 16A. COIL VOLTAGE 24VAC 50/60HZ

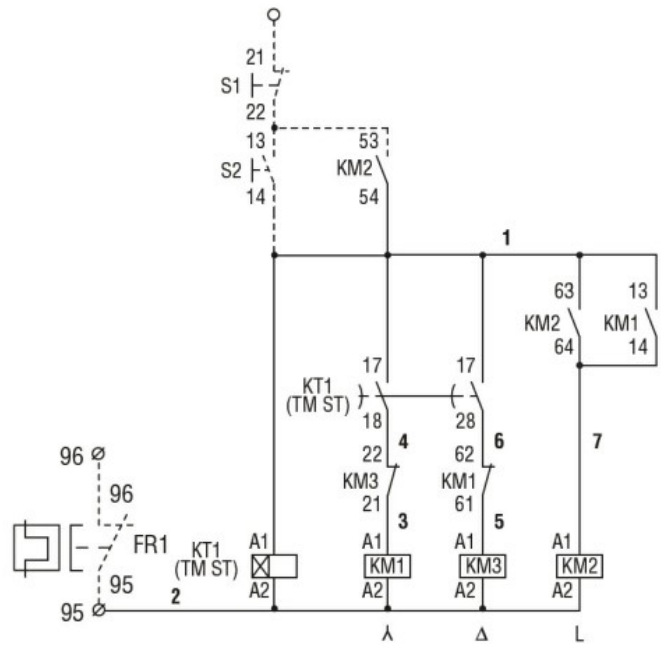
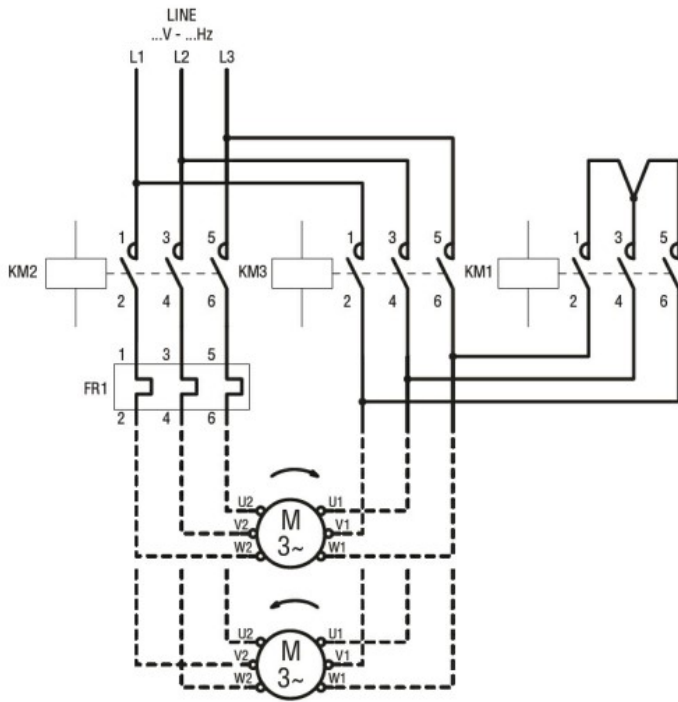


Drilling for surface fixing



Wiring diagrams

STAR-DELTA STARTER, ENCLOSED STARTER, WITH START AND STOP/RESET BUTTONS. STARTING TIME UP TO 12 SECONDS AND A MAXIMUM OF 30 OPERATIONS/HOUR, MAX IEC OPERATING CURRENT 16A. COIL VOLTAGE 24VAC 50/60HZ



**ETIM classification**

ETIM 8.0

EC001037 -  
 Motor  
 starter/Motor  
 starter  
 combination