



Electrical features

Maximum operating current ($\leq 440V$) A 16

Components

Starter enclosure standard supplied	M3PA70
Contactor standard supplied	BF0910A, BF0901A, BF0910A
Thermal relay to purchase separately	RF38...
Auxiliary contact standard supplied	BFX1020, ..., BFX1011

Contact characteristics

IEC standard motor powers	230V	kW	4
	400V	kW	7.5
	440V	kW	7.5
	500V	kW	7.5

Mechanical features

Weight g 3540

Ambient conditions

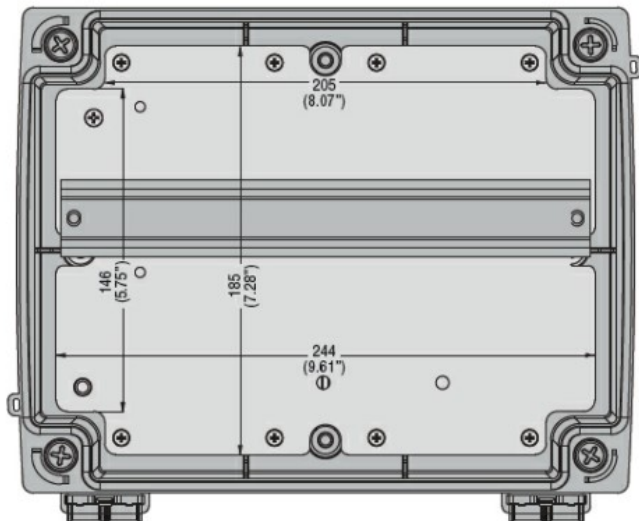
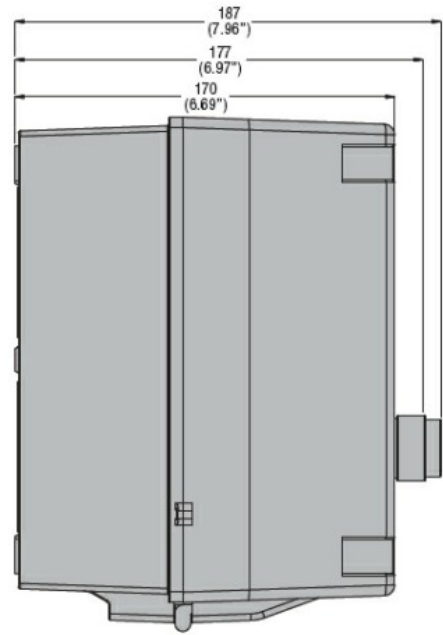
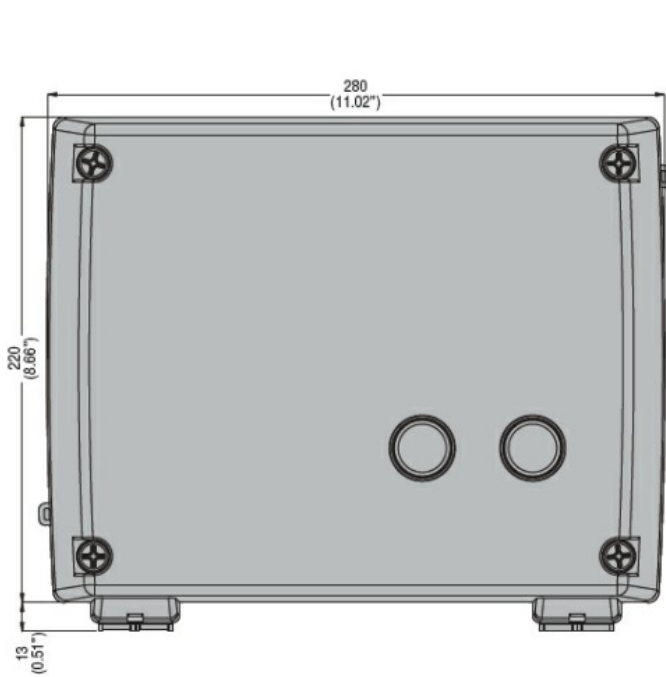
Operating temperature	min	°C	-25
	max	°C	+60
Storage temperature	min	°C	-40
	max	°C	+70

Resistance & Protection

Frontal IP degree IP65

Dimensions

STAR-DELTA STARTER, ENCLOSED STARTER, WITH START AND STOP/RESET BUTTONS.
STARTING TIME UP TO 12 SECONDS AND A MAXIMUM OF 30 OPERATIONS/HOUR, MAX IEC
OPERATING CURRENT 16A. COIL VOLTAGE 220VAC 60HZ

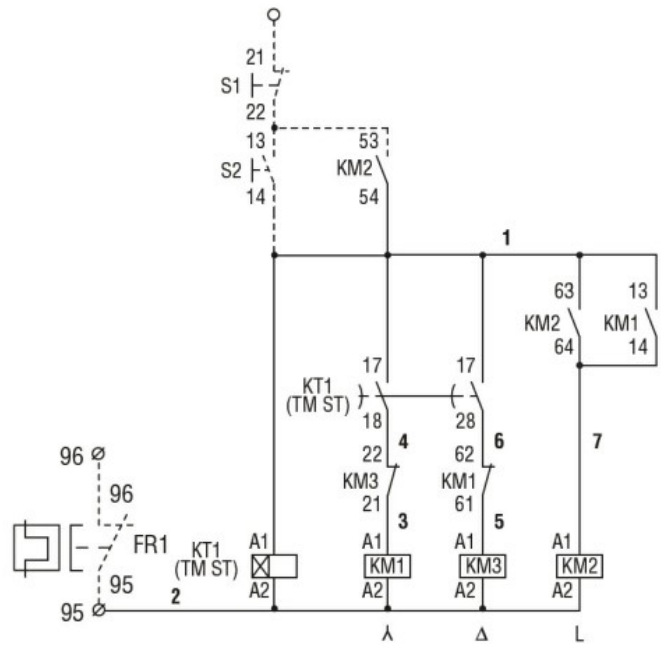
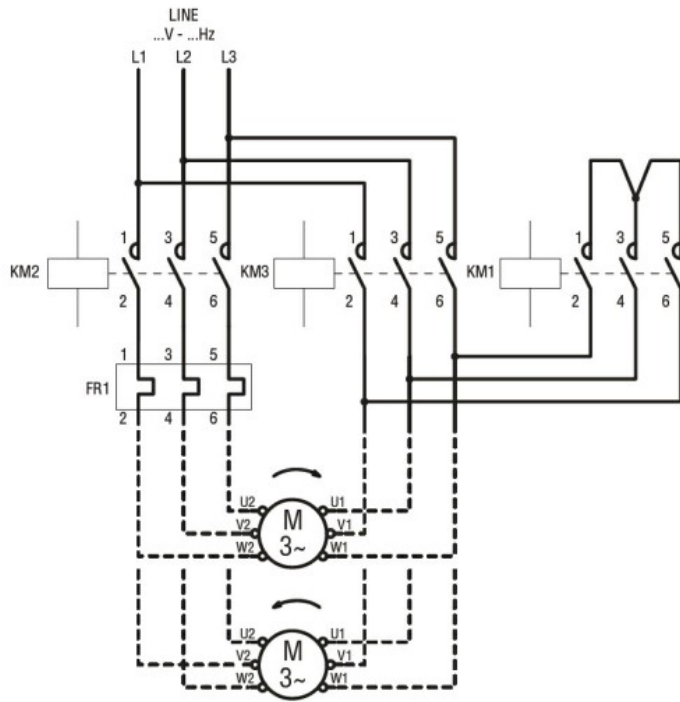


Drilling for surface fixing



Wiring diagrams

STAR-DELTA STARTER, ENCLOSED STARTER, WITH START AND STOP/RESET BUTTONS.
 STARTING TIME UP TO 12 SECONDS AND A MAXIMUM OF 30 OPERATIONS/HOUR, MAX IEC
 OPERATING CURRENT 16A. COIL VOLTAGE 220VAC 60HZ



ETIM classification

ETIM 8.0

EC001037 -
 Motor
 starter/Motor
 starter
 combination