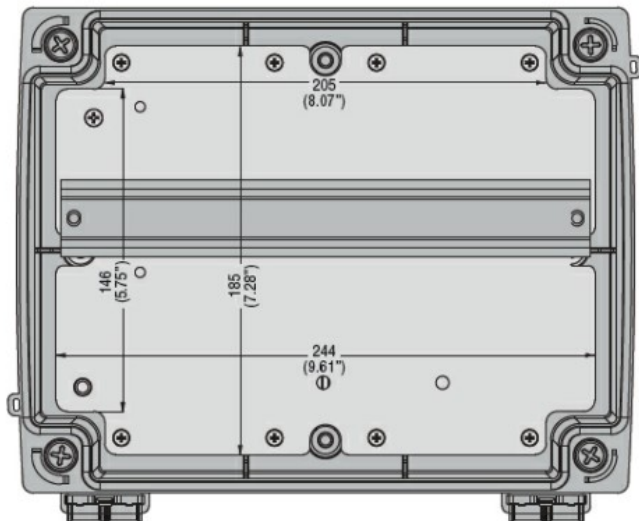
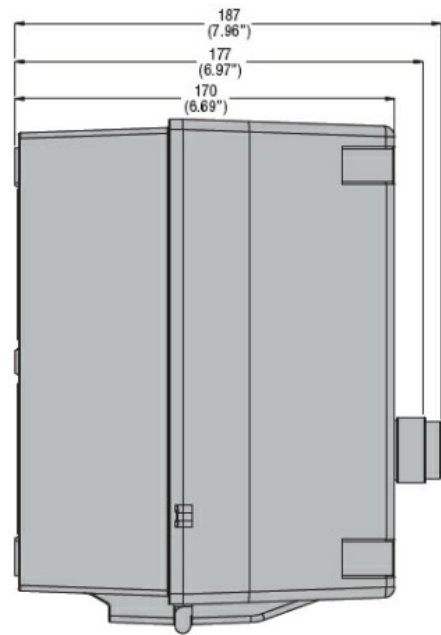
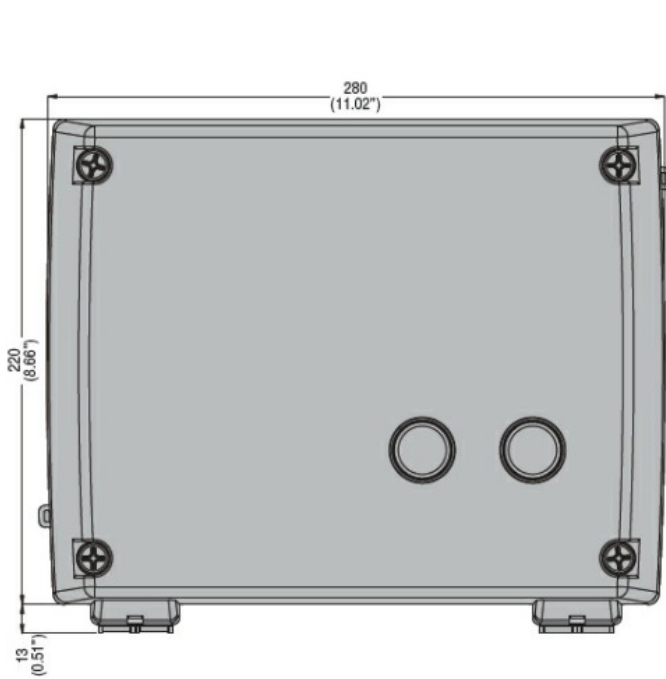




Electrical features			
Maximum operating current ( $\leq 440V$ )	A		16
Components			
Starter enclosure standard supplied			M3PA70
Contactor standard supplied			BF0910A, BF0901A, BF0910A
Thermal relay to purchase separately			RF38...
Auxiliary contact standard supplied			BFX1020, ..., BFX1011
Contact characteristics			
IEC standard motor powers			
	230V	kW	4
	400V	kW	7.5
	440V	kW	7.5
	500V	kW	7.5
Mechanical features			
Weight		g	3540
Ambient conditions			
Operating temperature			
	min	°C	-25
	max	°C	+60
Storage temperature			
	min	°C	-40
	max	°C	+70
Resistance & Protection			
Frontal IP degree			IP65
Dimensions			

STAR-DELTA STARTER, ENCLOSED STARTER, WITH START AND STOP/RESET BUTTONS.  
STARTING TIME UP TO 12 SECONDS AND A MAXIMUM OF 30 OPERATIONS/HOUR, MAX IEC  
OPERATING CURRENT 16A. COIL VOLTAGE 400VAC 50/60HZ

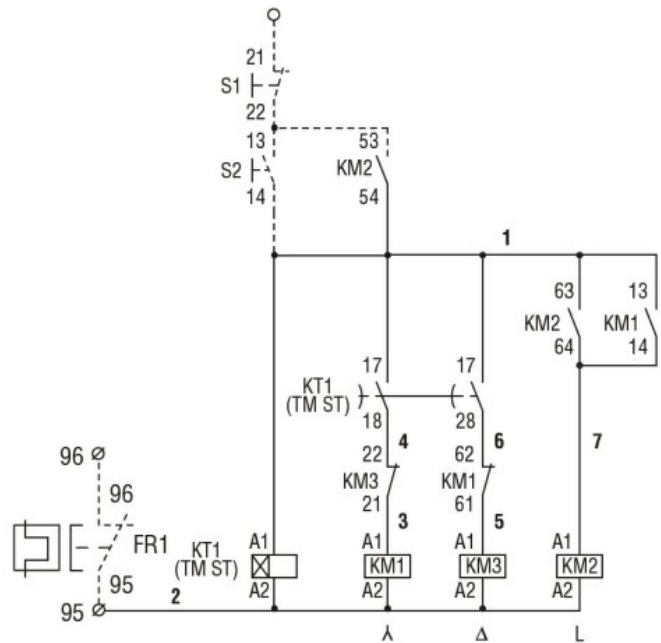
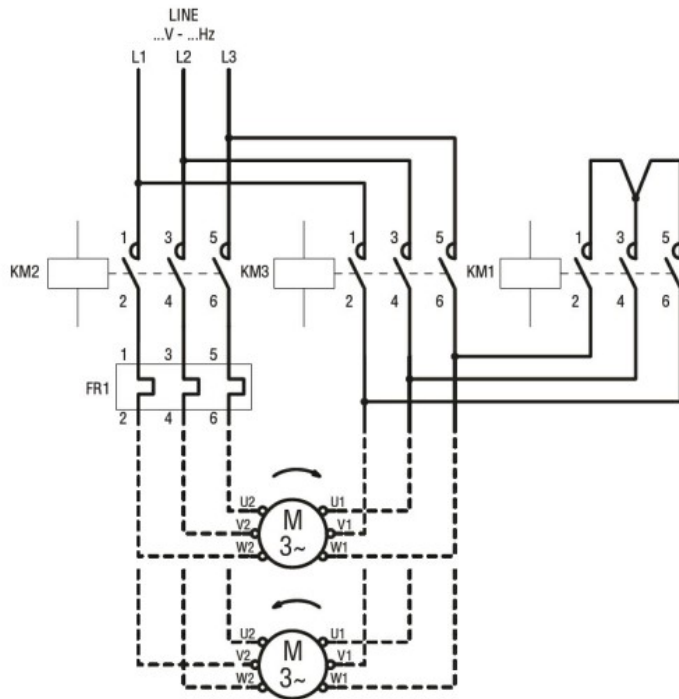


Drilling for surface fixing



Wiring diagrams

STAR-DELTA STARTER, ENCLOSED STARTER, WITH START AND STOP/RESET BUTTONS. STARTING TIME UP TO 12 SECONDS AND A MAXIMUM OF 30 OPERATIONS/HOUR, MAX IEC OPERATING CURRENT 16A. COIL VOLTAGE 400VAC 50/60HZ



### Certifications and compliance

#### Compliance

CSA C22.2 n° 14

for starters

IEC/EN 60947-1

IEC/EN 60947-4-1

UL508

#### Certificates

/

### ETIM classification

ETIM 8.0

EC001037 -  
Motor  
starter/Motor  
starter  
combination