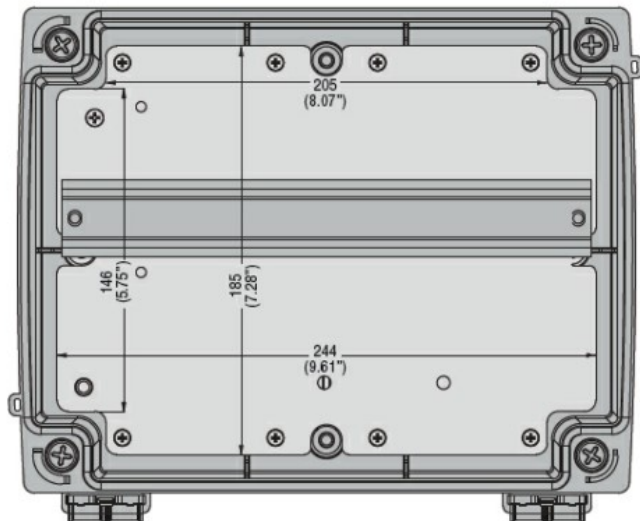
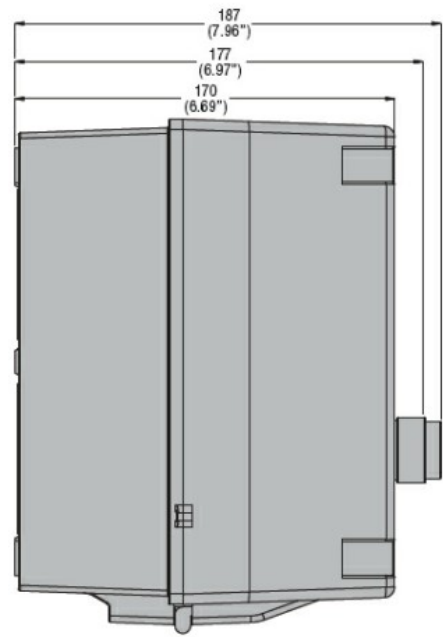
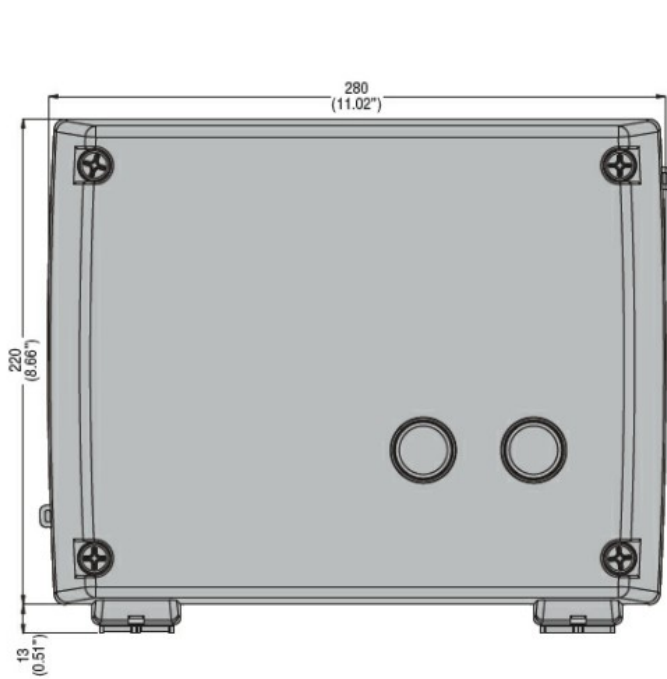




| Electrical features | | | |
|---|------|----|---------------------------------|
| Maximum operating current ($\leq 440V$) | A | | 22 |
| Components | | | |
| Starter enclosure standard supplied | | | M3PA70 |
| Contactor standard supplied | | | BF1210A, BF1201A, BF0910A |
| Thermal relay to purchase separately | | | RF38... |
| Auxiliary contact standard supplied | | | BFX1020, ..., BFX1011 |
| Contact characteristics | | | |
| IEC standard motor powers | | | |
| | 230V | kW | 5.5 |
| | 400V | kW | 11 |
| | 440V | kW | 11 |
| | 500V | kW | 11 |
| Mechanical features | | | |
| Weight | | g | 3540 |
| Ambient conditions | | | |
| Operating temperature | | | |
| | min | °C | -25 |
| | max | °C | +60 |
| Storage temperature | | | |
| | min | °C | -40 |
| | max | °C | +70 |
| Resistance & Protection | | | |
| Frontal IP degree | | | IP65 |
| Dimensions | | | |

STAR-DELTA STARTER, ENCLOSED STARTER, WITH START AND STOP/RESET BUTTONS.
STARTING TIME UP TO 12 SECONDS AND A MAXIMUM OF 30 OPERATIONS/HOUR, MAX IEC
OPERATING CURRENT 22A. COIL VOLTAGE 400VAC 50/60HZ

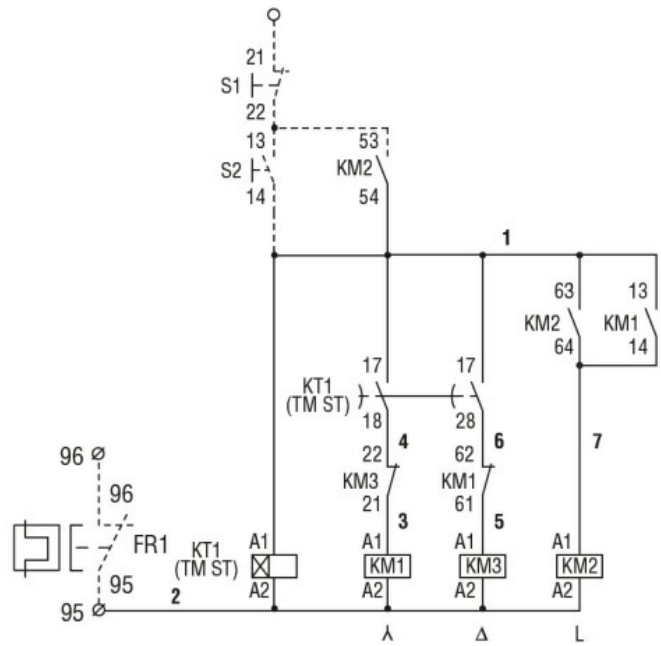
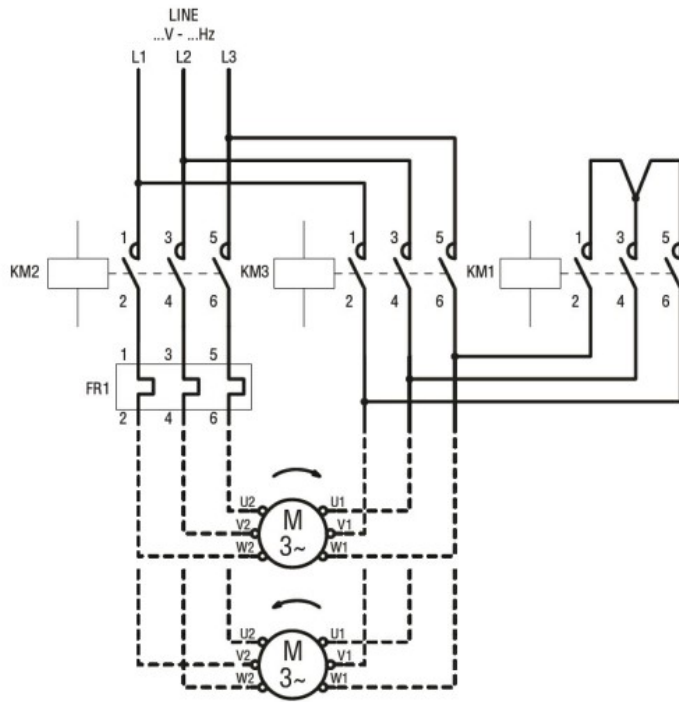


Drilling for surface fixing



Wiring diagrams

STAR-DELTA STARTER, ENCLOSED STARTER, WITH START AND STOP/RESET BUTTONS.
STARTING TIME UP TO 12 SECONDS AND A MAXIMUM OF 30 OPERATIONS/HOUR, MAX IEC
OPERATING CURRENT 22A. COIL VOLTAGE 400VAC 50/60HZ



Certifications and compliance

Compliance

CSA C22.2 n° 14

for starters

IEC/EN 60947-1

IEC/EN 60947-4-1

UL508

Certificates

/

ETIM classification

ETIM 8.0

EC001037 -
Motor
starter/Motor
starter
combination