



Electrical features

Maximum operating current ($\leq 440V$)	A	28
---	---	----

Components

Starter enclosure standard supplied	M3PA70
Contactor standard supplied	BF1810A, BF1801A, BF1210A
Thermal relay to purchase separately	RF38...
Auxiliary contact standard supplied	BFX1020, ..., BFX1011

Contact characteristics

IEC standard motor powers	230V	kW	7.5
	400V	kW	15
	440V	kW	11
	500V	kW	11

Mechanical features

Weight	g	3540
--------	---	------

Ambient conditions

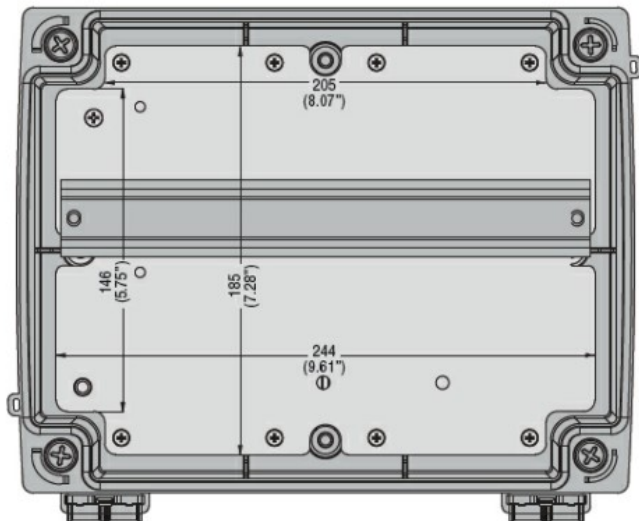
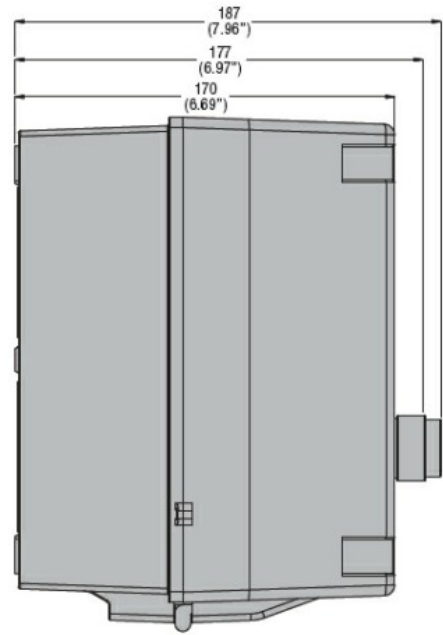
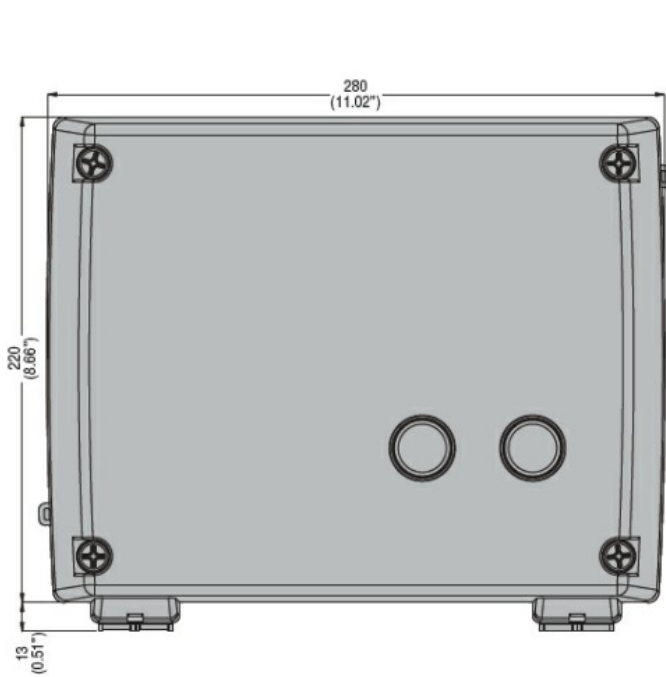
Operating temperature	min	°C	-25
	max	°C	+60
Storage temperature	min	°C	-40
	max	°C	+70

Resistance & Protection

Frontal IP degree	IP65
-------------------	------

Dimensions

STAR-DELTA STARTER, ENCLOSED STARTER, WITH START AND STOP/RESET BUTTONS.
STARTING TIME UP TO 12 SECONDS AND A MAXIMUM OF 30 OPERATIONS/HOUR, MAX IEC
OPERATING CURRENT 28A. COIL VOLTAGE 400VAC 50/60HZ

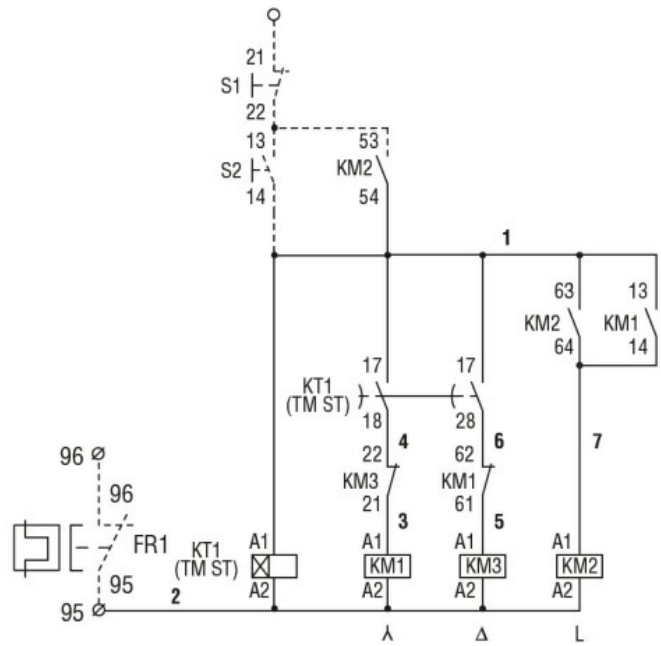
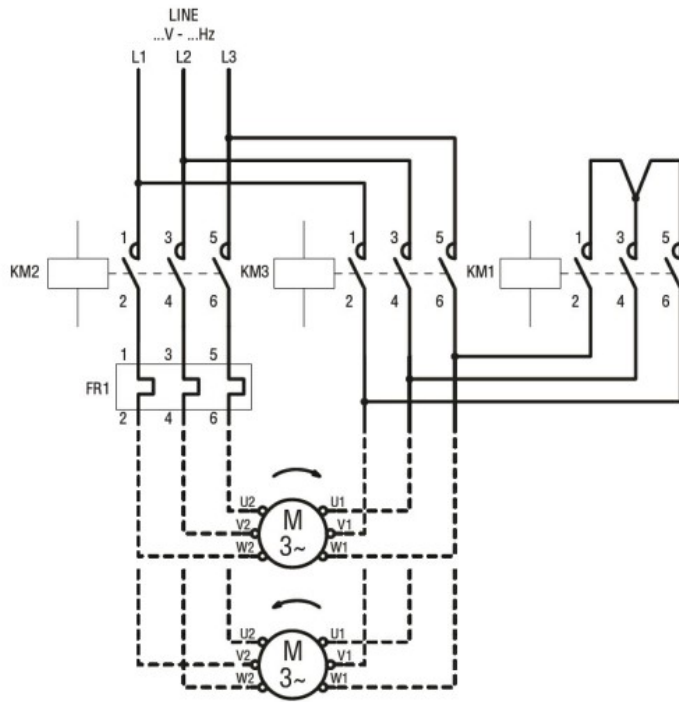


Drilling for surface fixing



Wiring diagrams

STAR-DELTA STARTER, ENCLOSED STARTER, WITH START AND STOP/RESET BUTTONS.
STARTING TIME UP TO 12 SECONDS AND A MAXIMUM OF 30 OPERATIONS/HOUR, MAX IEC
OPERATING CURRENT 28A. COIL VOLTAGE 400VAC 50/60HZ



Certifications and compliance

Compliance

CSA C22.2 n° 14

for starters

IEC/EN 60947-1

IEC/EN 60947-4-1

UL508

Certificates

/

ETIM classification

ETIM 8.0

EC001037 -
Motor
starter/Motor
starter
combination