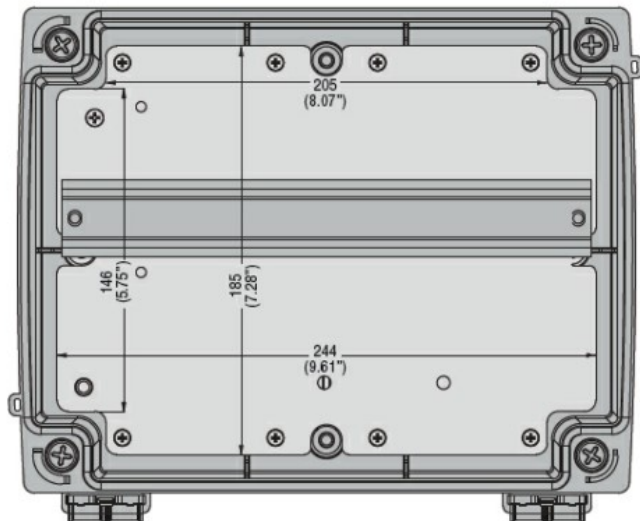
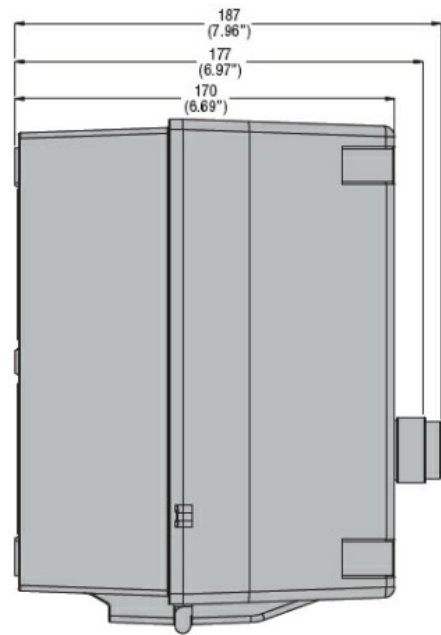
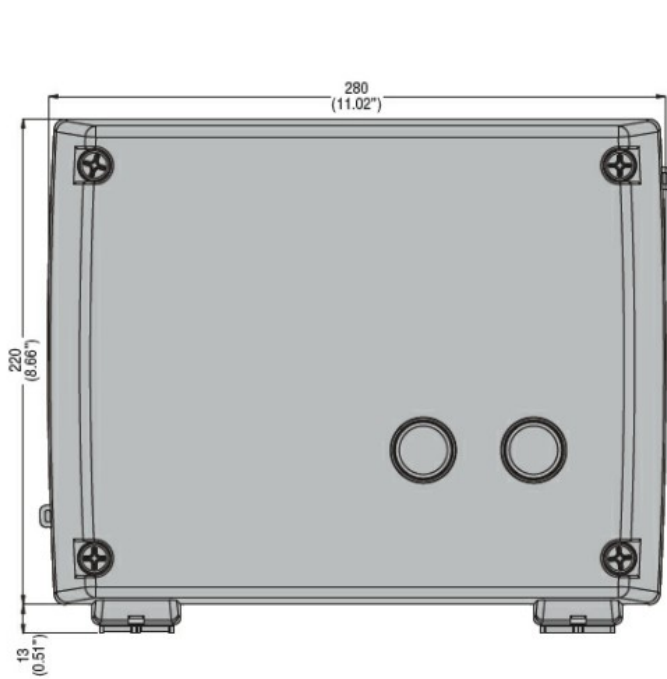




Electrical features			
Maximum operating current ( $\leq 440V$ )	A		35
Components			
Starter enclosure standard supplied			M3PA70
Contactor standard supplied			BF2510A, BF2501A, BF1810A
Thermal relay to purchase separately			RF38...
Auxiliary contact standard supplied			BFX1020, ..., BFX1011
Contact characteristics			
IEC standard motor powers	230V	kW	11
	400V	kW	18.5
	440V	kW	18.5
	500V	kW	22
Mechanical features			
Weight		g	3650
Ambient conditions			
Operating temperature	min	°C	-25
	max	°C	+60
Storage temperature	min	°C	-40
	max	°C	+70
Resistance & Protection			
Frontal IP degree			IP65
Dimensions			

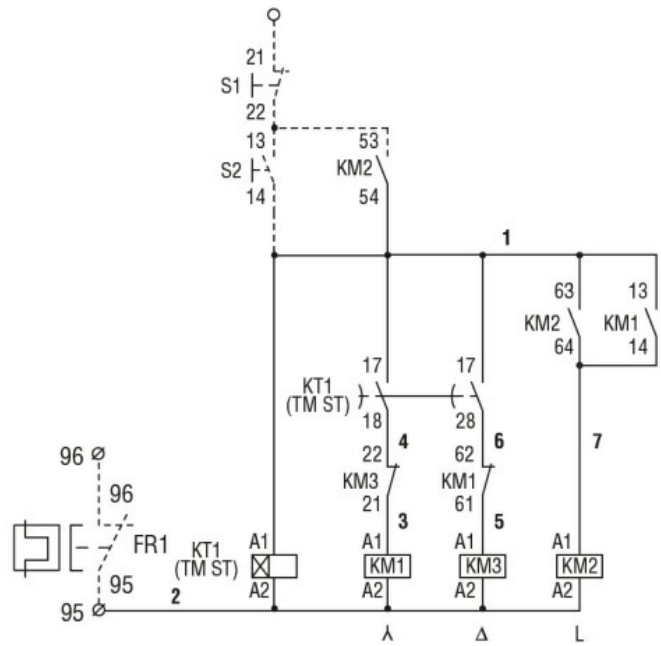
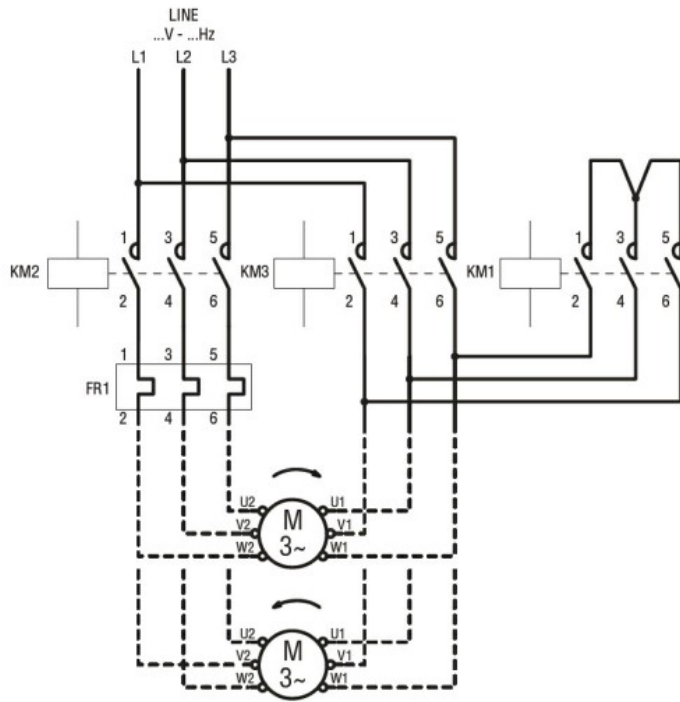
STAR-DELTA STARTER, ENCLOSED STARTER, WITH START AND STOP/RESET BUTTONS.  
STARTING TIME UP TO 12 SECONDS AND A MAXIMUM OF 30 OPERATIONS/HOUR, MAX IEC  
OPERATING CURRENT 35A. COIL VOLTAGE 400VAC 50/60HZ



Drilling for surface fixing



Wiring diagrams



### Certifications and compliance

#### Compliance

CSA C22.2 n° 14

for starters

IEC/EN 60947-1

IEC/EN 60947-4-1

UL508

#### Certificates

/

### ETIM classification

ETIM 8.0

EC001037 -  
Motor  
starter/Motor  
starter  
combination