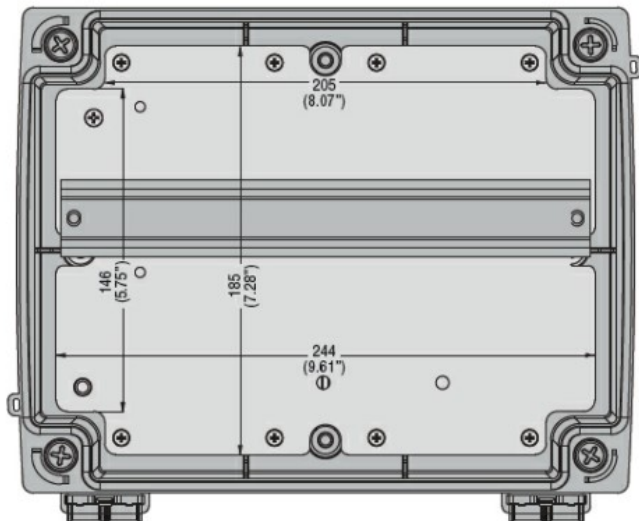
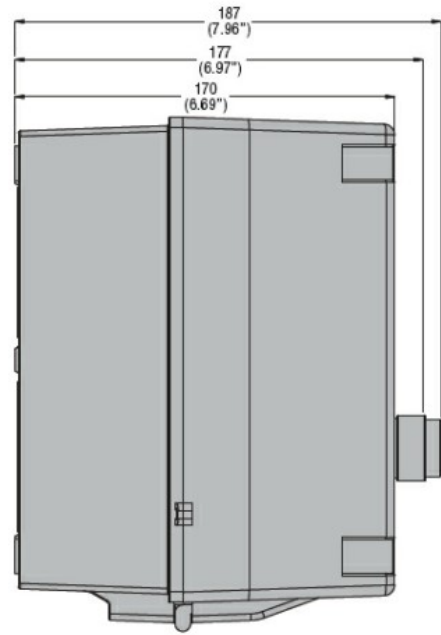
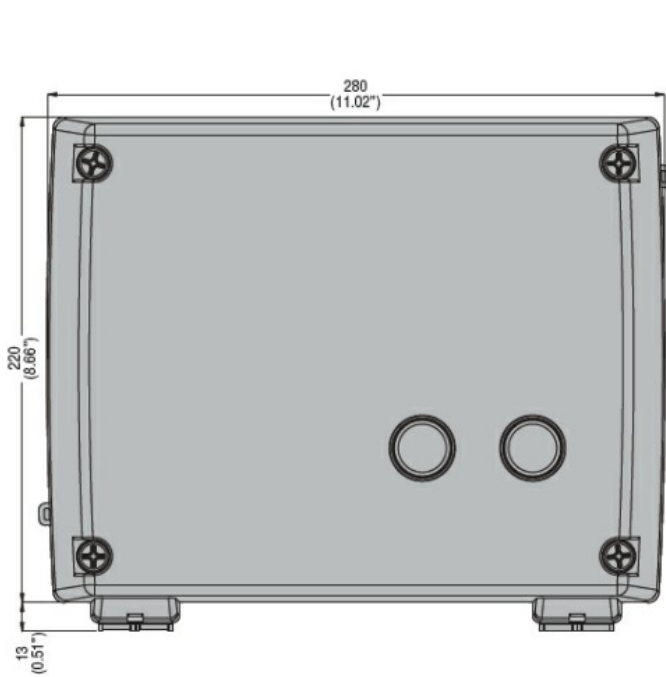




Electrical features			
Maximum operating current ($\leq 440V$)	A		43
Components			
Starter enclosure standard supplied			M3PA70
Contactors standard supplied			BF2600A, BF2600A, BF1810A
Thermal relay to purchase separately			RF38...
Auxiliary contact standard supplied			BFX1020, BFX1011, BFX1011
Contact characteristics			
IEC standard motor powers	230V	kW	11
	400V	kW	22
	440V	kW	22
	500V	kW	25
Mechanical features			
Weight	g		3650
Ambient conditions			
Operating temperature	min	°C	-25
	max	°C	+60
Storage temperature	min	°C	-40
	max	°C	+70
Resistance & Protection			
Frontal IP degree			IP65
Dimensions			

STAR-DELTA STARTER, ENCLOSED STARTER, WITH START AND STOP/RESET BUTTONS.
STARTING TIME UP TO 12 SECONDS AND A MAXIMUM OF 30 OPERATIONS/HOUR, MAX IEC
OPERATING CURRENT 43A. COIL VOLTAGE 230VAC 50/60HZ

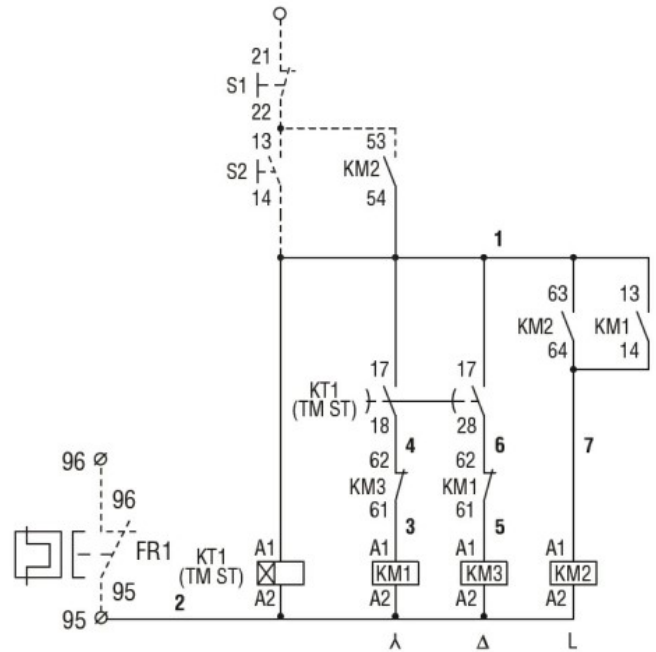
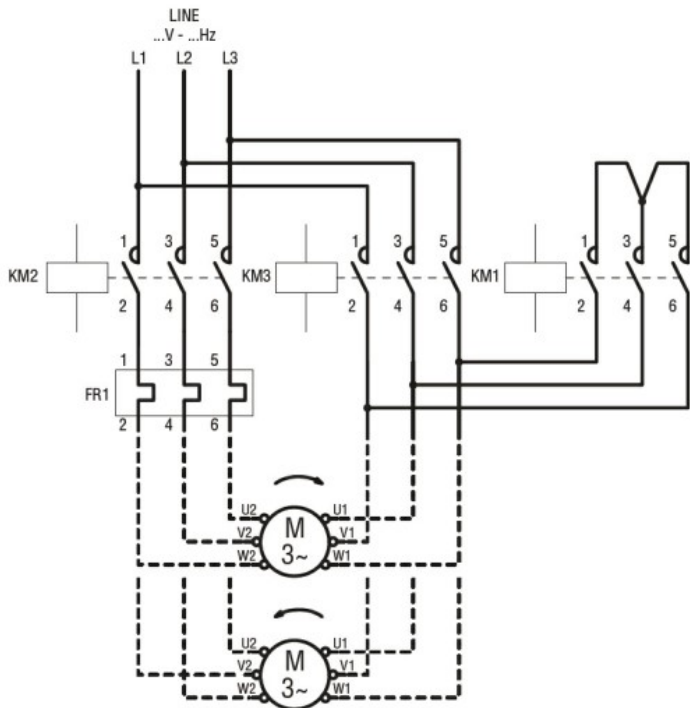


Drilling for surface fixing



Wiring diagrams

STAR-DELTA STARTER, ENCLOSED STARTER, WITH START AND STOP/RESET BUTTONS.
STARTING TIME UP TO 12 SECONDS AND A MAXIMUM OF 30 OPERATIONS/HOUR, MAX IEC
OPERATING CURRENT 43A. COIL VOLTAGE 230VAC 50/60HZ



Certifications and compliance

Compliance

CSA C22.2 n° 14

for starters

IEC/EN 60947-1

IEC/EN 60947-4-1

UL508

Certificates

/

ETIM classification

ETIM 8.0

EC001037 -
Motor
starter/Motor
starter
combination